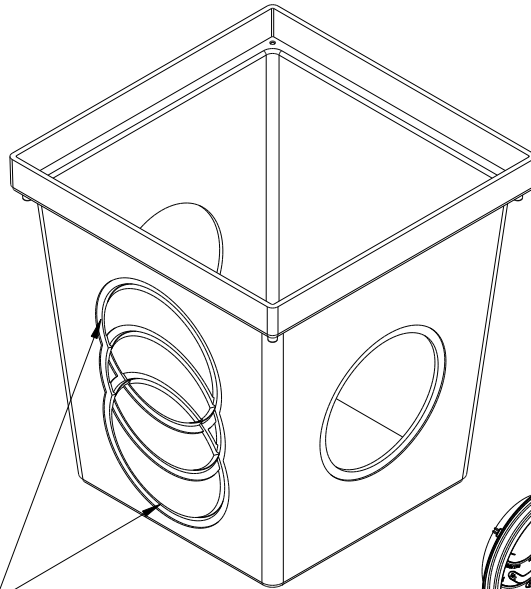
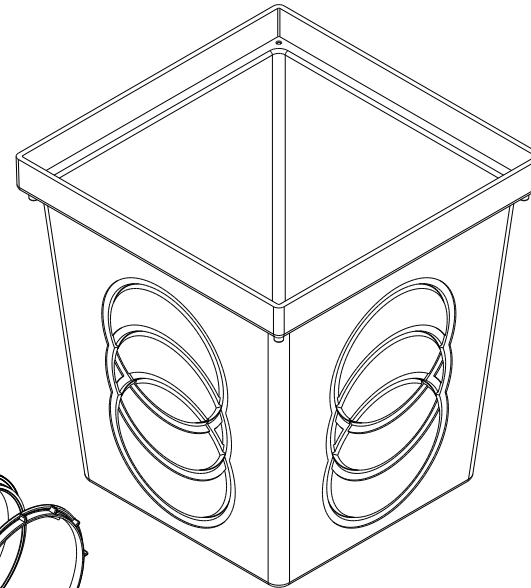


HOLES TO BE CUTOUT
AS NEEDED TO ACCEPT
POLYLOK PRT. NO. 3001
D-BOX SEAL

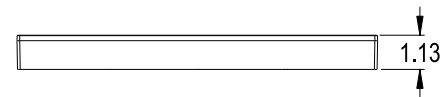
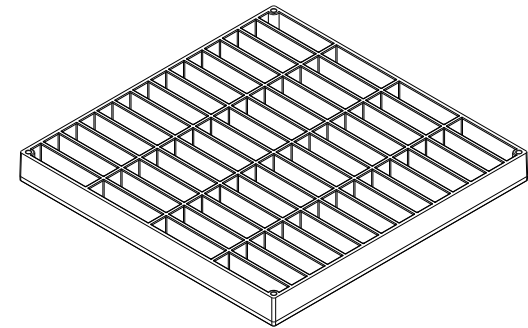
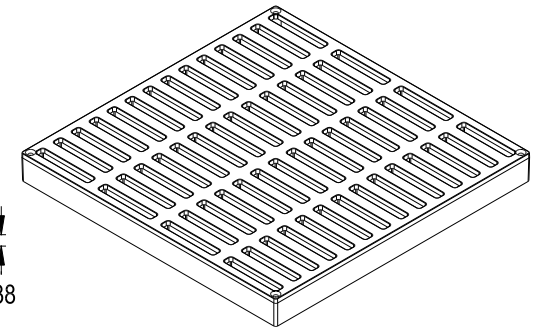
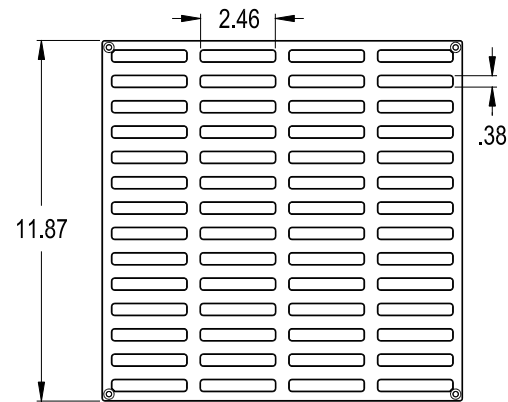
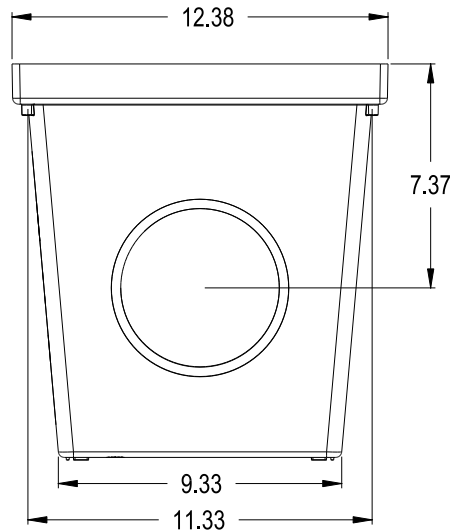
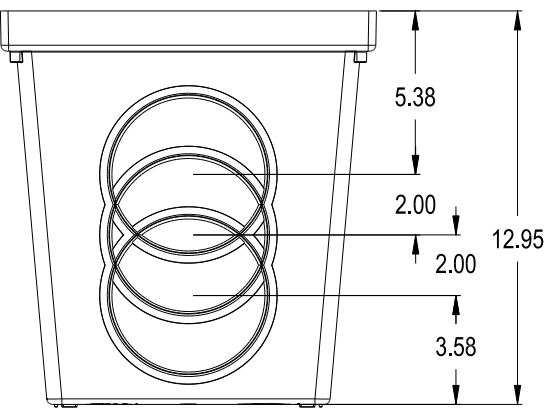


MODEL - PDB-12B
AS SHOWN WITH
2 SIDES WITH HOLES
2 SIDES WITH CUTOUTS



MODEL - PDB-12BL
AS SHOWN WITH
4 SIDES ALL CUTOUTS

POLYLOK 12" DRAIN BOX
PART NO'S.
2- HOLE - PDB-12B
NO HOLE - PDB-12BL
GRATE - PDB-12G
MATERIAL - HDPE
COLOR - BLACK
GRATE:
51 SQ.IN. OPEN AREA
FLOW RATE - 66.81 GPM



Ti SALES

36 Hudson Rd
Sudbury MA 01776



800-225-4616
www.tisales.com