

AMERICAN AVK HIGH PRESSURE, 250 PSI, MODERN, DRY BARREL HYDRANT, ALPINE MODEL

**27M/PHH/ALP
ALPINE**

Meets or exceeds AWWA C502 (latest) - Working Pressure - 250 PSI

Inlet Bases: Flanged in accordance with ANSI B16.1 Class 125,

Mechanical and Push-On Joint in accordance with ANSI/AWWA C111/A21.11

Use:

For water and neutral liquids to maximum 160°F.

Tests:

Hydraulic test to AWWA C502:

Seat Test: 500 PSI

Approvals:

UL/ULC Listed,

FM Approved

Certified to:

NSF/ANSI 61

NSF/ANSI 372



Components:

Nozzle Section, Upper Barrel, Barrels, Standpipe Flanges, Breakable Flange, Main Valve Flange, Base, Monitor Elbow

Caps, Weathershield

Nozzles, Valve Seat Ring, Drain Ring
Operating Nut, Thrust Nut

Brass Fittings, Brass Plugs

Main Valve

Stem Rod Couplings, Lock Rings, Nozzle Retaining
Screw, Lock Plate, Lock Plate Screw, Stop Pins,
Coupler Pins, Main Valve Retaining Pin, Spring Pins,

Coating

Stop Nut, Chain Set, Hardware

Barrel Gasket, Cap Gasket, O-rings

Lubrication Hole Seal

Anti-Friction Washer

- | | | | | |
|----------------------------------|---------------------------------|--|-------------------------------------|---|
| Base Elbow / Inlet Configuration | <input type="checkbox"/> 6" MJ | <input type="checkbox"/> 6" Flanged | <input type="checkbox"/> 6" Push-on | <input type="checkbox"/> 6" Hymax Grip® * |
| | <input type="checkbox"/> 4" MJ | <input type="checkbox"/> 4" Flanged | <input type="checkbox"/> 4" PE* | |
| | <input type="checkbox"/> 8" MJ* | <input type="checkbox"/> 6" Straight Flanged | <input type="checkbox"/> 6" PE* | |

*Not UL/ULC Listed or FM Approved

Standard:

Ductile Iron ASTM A536

Cast Iron ASTM A126 Class "B"

Bronze

Brass

Ductile iron core, fully encapsulated with EPDM rubber.

Stainless Steel

Above ground-Fusion bonded epoxy inside and out. Below ground - Bitumen/Fusion bonded epoxy. Epoxy meets or exceeds AWWA C550 (latest)

Zinc Plated Steel

NBR - (Barrel Gasket with 304 stainless insert)

Oil Resistant Rubber

Polyamide

Optional Materials:

- | | | | |
|-------------------------|---|--|--|
| Hardware - Above Ground | <input type="checkbox"/> Zinc Plated (Standard) | <input type="checkbox"/> 304 Stainless | <input type="checkbox"/> 316 Stainless |
| Hardware - Below Ground | <input type="checkbox"/> 304 Stainless (Standard) | <input type="checkbox"/> Zinc Plated | <input type="checkbox"/> 316 Stainless |
| Upper Stem Rod | <input type="checkbox"/> 304 Stainless (Standard) | <input type="checkbox"/> Mild Steel | <input type="checkbox"/> Bronze |
| Lower Stem Rod | <input type="checkbox"/> Mild Steel (Standard) | <input type="checkbox"/> 304 Stainless | <input type="checkbox"/> Bronze |
| Caps, Weathershield | <input type="checkbox"/> Cast Iron (Standard) | <input type="checkbox"/> Ductile Iron | |
| Opening Direction | <input type="checkbox"/> Open Left | <input type="checkbox"/> Open Right | |



Series 27M/PHH/ALP
1 Pumper, 2 Hose Outlet



36 Hudson Rd
Sudbury MA 01776



800-225-4616
www.tisales.com

AMERICAN AVK HIGH PRESSURE, 250 PSI, MODERN, DRY BARREL HYDRANT

27M/PHH/ALP

Meets or exceeds AWWA C502 (latest) - Working Pressure - 250 PSI

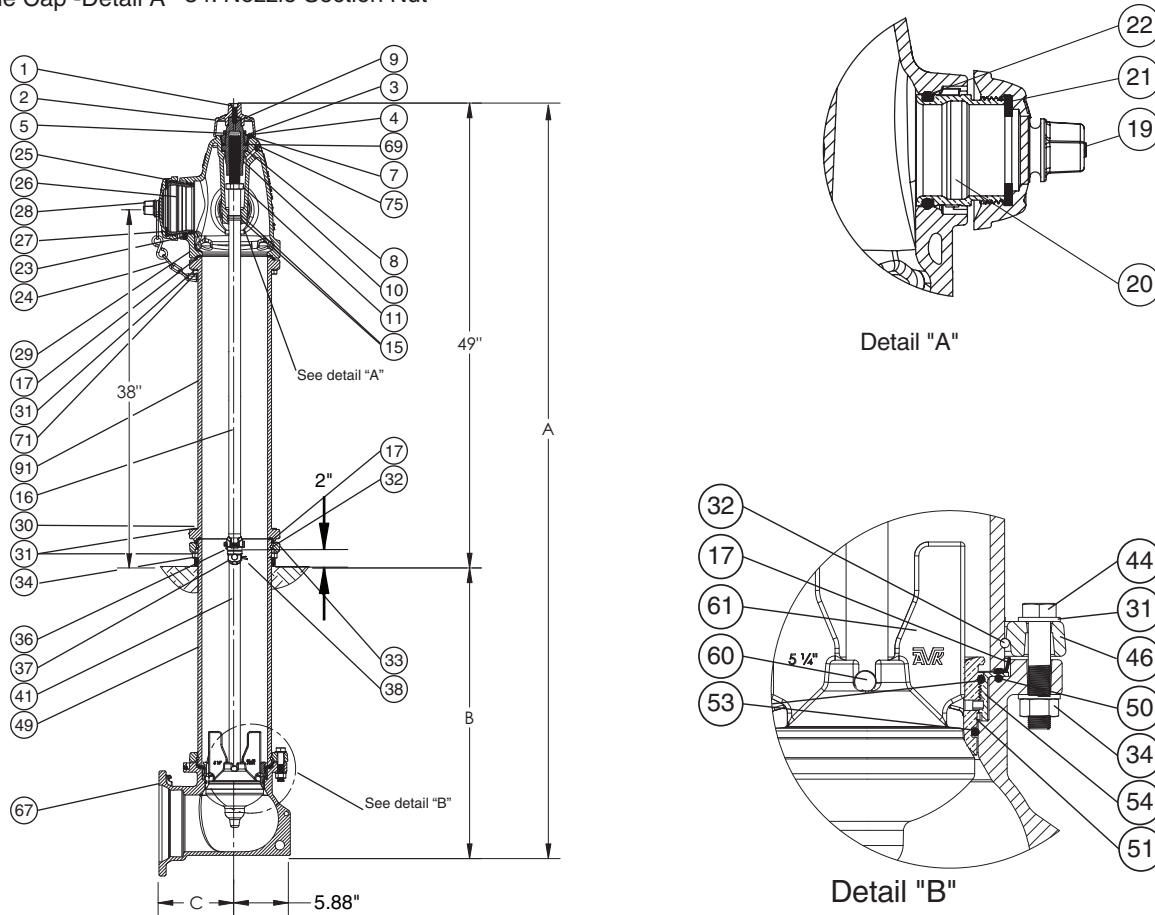
ALPINE

Inlet Bases: Flanged in accordance with ANSI B16.1 Class 125,

Mechanical and Push-On Joint in accordance with ANSI/AWWA C111/A21.11

Component List:

- | | | | |
|-------------------------------|--------------------------------------|----------------------------------|--|
| 1. Weathershield Bolt | 20. Hose Nozzle -Detail A | 36. Coupler Pin | 60. Main Valve Retaining Pin -Detail B |
| 2. Weathershield | 21. Hose Nozzle Cap Gasket -Detail A | 37. Breakable Stem Rod Coupling | 61. Main Valve Disc -Detail B |
| 3. Lock Plate Screw | 22. Hose Nozzle O-ring - Detail A | 38. Spring Pin | 62. Base Gasket -Detail B |
| 4. Lock Plate | 23. Nozzle Retaining Screw | 41. Lower Stem Rod | 67. Base |
| 5. Inner Thrust Nut O-ring | 24. Chain Set | 44. Extension Bolt -Detail B | 69. Thrust Bearing |
| 6. Thrust Nut | 25. Pumper Nozzle O-ring | 46. Standpipe Flange -Detail B | 71. Modern Nozzle Section Bolt |
| 7. Outer Thrust Nut O-ring | 26. Pumper Nozzle | 49. Lower Barrel | 75. Zerk Fitting |
| 8. Anti-Friction Washer | 27. Pumper Nozzle Gasket | 50. Lower Barrel O-ring Detail B | 91. Alpine Upper Barrel |
| 9. Lubrication Hole Seal | 28. Pumper Nozzle Cap | 51. Valve Seat Ring -Detail B | |
| 10. Operating Nut | 29. Nozzle Section | 53. Valve Seat O-ring -Detail B | |
| 11. Stop Nut | 30. Nozzle Section Bolt | 54. Drain Ring -Detail B | |
| 15. Stem Seal O-rings | 31. Nozzle Section Washer | 55. Brass Plug -Not shown | |
| 16. Upper Stem Rod | 32. Lock Ring | 56. Brass Fitting -Not shown | |
| 17. Barrel Gasket | 33. Breakable Flange | | |
| 19. Hose Nozzle Cap -Detail A | 34. Nozzle Section Nut | | |



Ref No.	Base Size	Outlets	A	B*	C Flanged	C MJ	C Push-on	C PE	C HYMAX GRIP®
27M-PHH-4-ALP	- 4"	2x2½", 1x4"/4½"	67" - 265"	18" - 216"	8.00"	8.00"	N/A	23.70"	N/A
27M-PHH-6-ALP	- 6"	2x2½", 1x4"/4½"	67" - 265"	18" - 216"	8.00"	8.00"	9.00"	22.80"	11.60"
27M-PHH-8-ALP	- 8"	2x2½", 1x4"/4½"	67" - 265"	18" - 216"	N/A	9.38"	N/A	N/A	N/A

* Buries greater than 216" available upon request.



36 Hudson Rd
Sudbury MA 01776



800-225-4616
www.tisales.com

DS S27M/PHH/ALP ALPINE
Subject to change without notice. (rev. 09/20)