

**AMERICAN AVK HIGH PRESSURE, 250 PSI, MODERN,
SINGLE PUMPER, DRY BARREL HYDRANT**

**27M/PNN
MODERN SINGLE PUMPER**

Meets or exceeds AWWA C502 (latest) - Working Pressure - 250 PSI

Inlet Bases: Flanged in accordance with ANSI B16.1 Class 125,

Mechanical and Push-On Joint in accordance with ANSI/AWWA C111/A21.11

Use:

For water and neutral liquids to maximum 160°F.

Tests:

Hydraulic test to AWWA C502:

Seat Test: 500 PSI

Approvals:

Certified to:
NSF/ANSI 61
NSF/ANSI 372



Components:

Nozzle Section, Upper Barrel, Barrels, Standpipe Flanges, Breakable Flange, Main Valve Flange, Base, Monitor Elbow

Caps, Weathershield

Nozzles, Valve Seat Ring, Drain Ring
Operating Nut, Thrust Nut

Brass Fittings, Brass Plugs

Main Valve

Stem Rod Couplings, Lock Rings, Nozzle Retaining
Screw, Lock Plate, Lock Plate Screw, Stop Pins,
Coupler Pins, Main Valve Retaining Pin, Spring Pins,

Coating

Stop Nut, Chain Set, Hardware

Barrel Gasket, Cap Gasket, O-rings

Lubrication Hole Seal

Anti-Friction Washer

- | | | | | |
|----------------------------------|---------------------------------|--|-------------------------------------|--|
| Base Elbow / Inlet Configuration | <input type="checkbox"/> 6" MJ | <input type="checkbox"/> 6" Flanged | <input type="checkbox"/> 6" Push-on | <input type="checkbox"/> 6" Hymax Grip®* |
| | <input type="checkbox"/> 4" MJ | <input type="checkbox"/> 4" Flanged | <input type="checkbox"/> 4" PE* | |
| | <input type="checkbox"/> 8" MJ* | <input type="checkbox"/> 6" Straight Flanged | <input type="checkbox"/> 6" PE* | |

*Not UL/ULC Listed or FM Approved

Standard:

Ductile Iron ASTM A536

Cast Iron ASTM A126 Class "B"

Bronze

Brass

Ductile iron core, fully encapsulated with EPDM rubber.

Stainless Steel

Above ground-Fusion bonded epoxy inside and out. Below ground - Bitumen/Fusion bonded epoxy. Epoxy meets or exceeds AWWA C550 (latest)

Zinc Plated Steel

NBR - (Barrel Gasket with 304 stainless insert)

Oil Resistant Rubber

Polyamide

Optional Materials:

- | | | | |
|-------------------------|---|--|--|
| Hardware - Above Ground | <input type="checkbox"/> Zinc Plated (Standard) | <input type="checkbox"/> 304 Stainless | <input type="checkbox"/> 316 Stainless |
| Hardware - Below Ground | <input type="checkbox"/> 304 Stainless (Standard) | <input type="checkbox"/> Zinc Plated | <input type="checkbox"/> 316 Stainless |
| Upper Stem Rod | <input type="checkbox"/> 304 Stainless (Standard) | <input type="checkbox"/> Mild Steel | <input type="checkbox"/> Bronze |
| Lower Stem Rod | <input type="checkbox"/> Mild Steel (Standard) | <input type="checkbox"/> 304 Stainless | <input type="checkbox"/> Bronze |
| Caps, Weathershield | <input type="checkbox"/> Cast Iron (Standard) | <input type="checkbox"/> Ductile Iron | |
| Opening Direction | <input type="checkbox"/> Open Left | <input type="checkbox"/> Open Right | |



Series 27M/PNN
1 Pumper



36 Hudson Rd
Sudbury MA 01776  800-225-4616
www.tisales.com

AMERICAN AVK HIGH PRESSURE, 250 PSI, MODERN, SINGLE PUMPER, DRY BARREL HYDRANT

27M/PNN MODERN SINGLE PUMPER

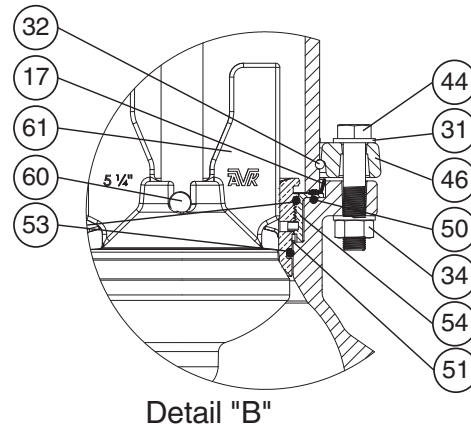
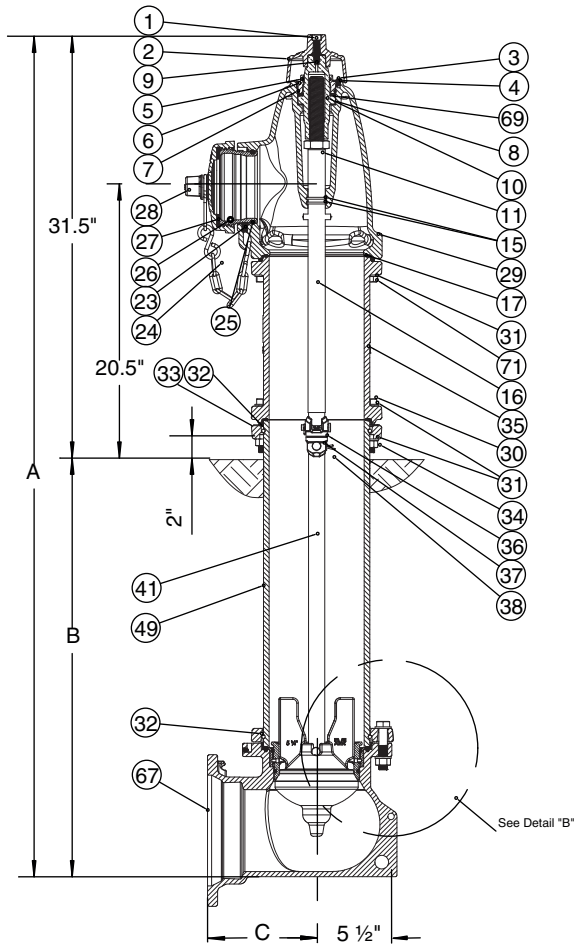
Meets or exceeds AWWA C502 (latest) - Working Pressure - 250 PSI

Inlet Bases: Flanged in accordance with ANSI B16.1 Class 125,

Mechanical and Push-On Joint in accordance with ANSI/AWWA C111/A21.11

Component List:

- | | | | |
|----------------------------|----------------------------|----------------------------------|-------------------------------|
| 1. Weathershield Bolt | 23. Nozzle Retaining Screw | 37. Breakable Stem Rod | 60. Main Valve Retaining Pin |
| 2. Weathershield | 24. Chain Set | Coupling | -Detail B |
| 3. Lock Plate Screw | 25. Pumper Nozzle O-ring | 38. Spring Pin | 61. Main Valve Disc -Detail B |
| 4. Lock Plate | 26. Pumper Nozzle | 41. Lower Stem Rod | 62. Base Gasket -Detail B |
| 5. Inner Thrust Nut O-ring | 27. Pumper Nozzle Gasket | 44. Extension Bolt - Detail B | 67. Base |
| 6. Thrust Nut | 28. Pumper Nozzle Cap | 46. Standpipe Flange -Detail B | 69. Thrust Bearing |
| 7. Outer Thrust Nut O-ring | 29. Nozzle Section | 49. Lower Barrel | 71. Modern Nozzle Section |
| 8. Anti-Friction Washer | 30. Nozzle Section Bolt | 50. Lower Barrel O-ring Detail B | Bolt |
| 9. Lubrication Hole Seal | 31. Nozzle Section Washer | 51. Valve Seat Ring -Detail B | 75. Zerk Fitting (not shown) |
| 10. Operating Nut | 32. Lock Ring | 53. Valve Seat O-ring -Detail B | |
| 11. Stop Nut | 33. Breakable Flange | 54. Drain Ring -Detail B | |
| 15. Stem Seal O-rings | 34. Nozzle Section Nut | 55. Brass Plug (not shown) | |
| 16. Upper Stem Rod | 35. Upper Barrel | 56. Brass Fitting (not shown) | |
| 17. Barrel Gasket | 36. Coupler Pin | | |



Ref No.	Base Size	Outlets	A	B*	C			
					Flanged	MJ	Push-on	PE
27M-PNN-4	- 4"	1x4"/4 1/2"	49.50" - 247.50"	18" - 216"	8.00"	8.00"	N/A	23.70"
27M-PNN-6	- 6"	1x4"/4 1/2"	49.50" - 247.50"	18" - 216"	8.00"	8.00"	9.00"	22.80"
27M-PNN-8	- 8"	1x4"/4 1/2"	49.50" - 247.50"	18" - 216"	N/A	9.38"	N/A	N/A

* Buries greater than 216" available upon request.



36 Hudson Rd
Sudbury MA 01776



800-225-4616
www.tisales.com

DS S27M/PNN MODERN SINGLE PUMPER
Subject to change without notice. (rev. 09/20)