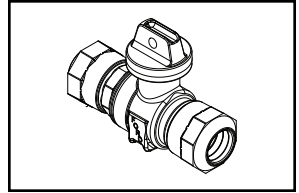


# SUBMITTAL INFORMATION

## Ball Valve Curb Stop - (B44-xxx-Q-NL style)



### QUICK JOINT FOR COPPER OR PLASTIC TUBING (CTS) INLET AND OUTLET

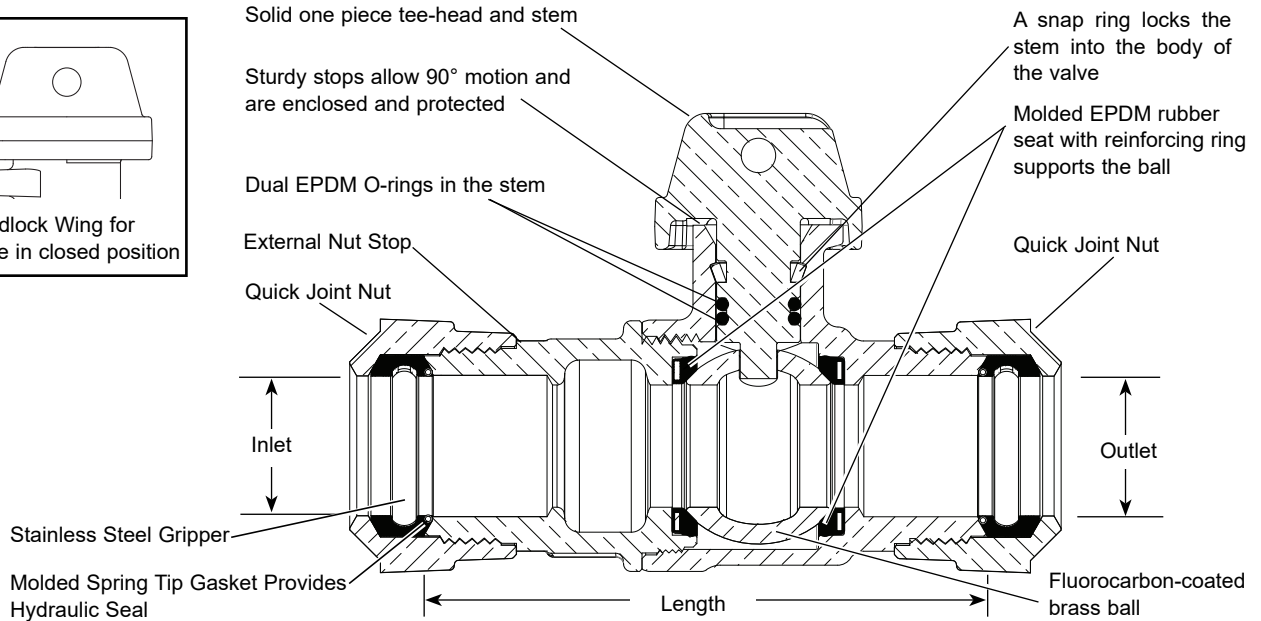
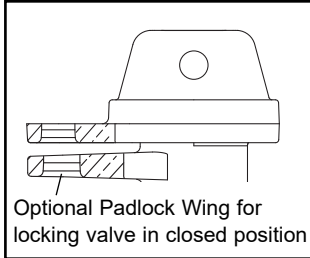


Image shown above is a B44-444-Q-NL.

VALVE SIZE	INLET SIZE	OUTLET SIZE	LENGTH	APPROX. Wt. LBS	PART NUMBER	✓ SUBMITTED ITEM(S)
3/4"	3/4"	3/4"	3-11/16"	2.1	B44-333-Q-NL	
3/4"	1"	3/4"	4-1/64"	2.5	B44-343-Q-NL	
3/4"	1"	1"	4-7/32"	2.9	B44-344-Q-NL	
1"	1"	1"	4-19/32"	3.1	B44-444-Q-NL	
1-1/4"	1-1/4"	1-1/4"	6-21/64"	5.9	B44-555-Q-NL	
1-1/2"	1-1/2"	1-1/2"	5-45/64"	7.0	B44-666-Q-NL	
2"	2"	2"	6-33/64"	12.7	B44-777-Q-NL	

**Note:** Ford recommends insert stiffeners when using plastic pipe or tubing.

### FEATURES

- All brass that comes in contact with potable water conforms to AWWA Standard C800 (ASTM B584, UNS C89833)
- The product has the letters "NL" cast into the main body for lead-free identification
- Certified to NSF/ANSI Standard 61 and NSF/ANSI Standard 372 where applicable
- Brass components that do not come in contact with potable water conform to AWWA Standard C800 (ASTM B62 and ASTM B584, UNS C83600, 85-5-5-5)
- Valve is non-directional and is watertight with flow in either direction
- Ends are integral or secured with adhesive to prevent unintentional disassembly
- Hole for attaching curb box rod or handle is provided in tee-head
- 300 PSI working pressure

**Optional Padlock Wing** for locking valve in closed position. Insert "W" into part number

The Ford Meter Box Company considers the information in this submittal form to be correct at the time of publication. Item and option availability, including specifications, are subject to change without notice. Please verify that your product information is current.



**The Ford Meter Box Company, Inc.**  
 P.O. Box 443, Wabash, Indiana U.S.A. 46992-0443  
 Phone: 260-563-3171 / Fax: 800-826-3487  
 Overseas Fax: 260-563-0167  
 www.fordmeterbox.com

08/23/18

Submitted By:



36 Hudson Rd  
 Sudbury MA 01776



800-225-4616  
 www.tisales.com