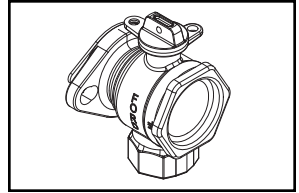
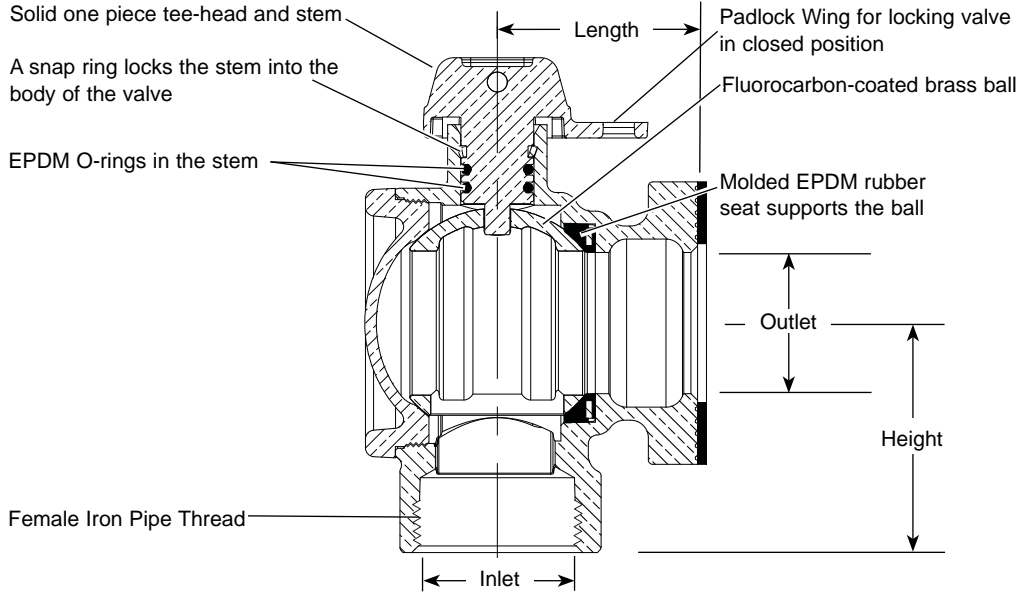


SUBMITTAL INFORMATION

Angle Ball Flange Meter Valves - (BFA13-xxxW-NL style)



FEMALE IRON PIPE THREAD INLET BY METER FLANGE OUTLET



VALVE SIZE	SERVICE LINE SIZE INLET	METER SIZE OUTLET	LENGTH	HEIGHT	APPROX. WT. LBS	PART NUMBER	✓ SUBMITTED ITEM(S)
1-1/2"	1-1/2"	1-1/2"	2-1/2"	2-13/16"	7.2	BFA13-666W-NL	
1-1/2"	2"	2"	2-13/16"	3-1/4"	7.9	BFA13-677W-NL	
2"	2"	2"	2-13/16"	3-1/4"	9.1	BFA13-777W-NL	

FEATURES

- All brass that comes in contact with potable water conforms to AWWA Standard C800 (UNS No. C89833)
 - The product has the letters "NL" cast into the main body for lead-free identification
 - Certified to NSF/ANSI Standard 61 and NSF/ANSI Standard 372 where applicable
 - Brass components that do not come in contact with potable water conform to AWWA Standard C800 (ASTM B62 and ASTM B584, UNS No. C83600, 85-5-5-5)
 - Hole for attaching handle is provided in tee-head
 - 300 PSI working pressure in either direction
 - Includes EPDM drop-in style meter gasket
 - Padlock Wing for locking valve in closed position
 - Suitable for customer side shut off (outlet side of meter) up to 300 PSI
- Optional:** Full 360° tee-head rotation. Add "R" to the part number
 Meter support brackets. Add "-MSB" to the part number

The Ford Meter Box Company considers the information in this submittal form to be correct at the time of publication. Item and option availability, including specifications, are subject to change without notice. Please verify that your product information is current.



The Ford Meter Box Company, Inc.
 P.O. Box 443, Wabash, Indiana U.S.A. 46992-0443
 Phone: 260-563-3171 / Fax: 800-826-3487
 Overseas Fax: 260-563-0167
 www.fordmeterbox.com

02/12/15

Submitted By:



36 Hudson Rd
 Sudbury MA 01776



800-225-4616
 www.tisales.com