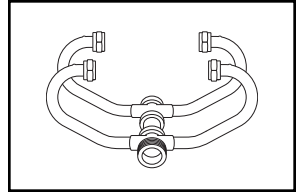


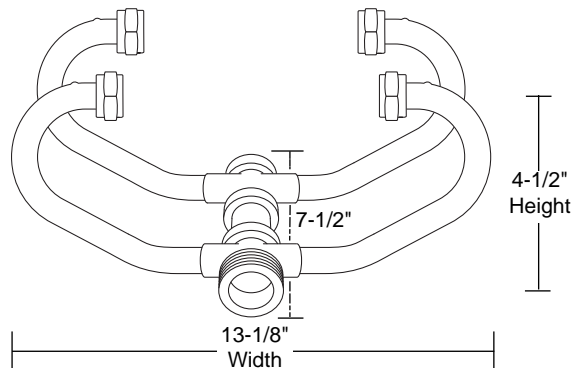
SUBMITTAL INFORMATION

Tandem Resetter Series - (Resetter-1B-NL style)



TYPE B - PLACES 5/8" METER(S) OR SECOND DEVICE IN PARALLEL POSITION

METER THREAD INLET AND OUTLET



METER SIZE	BOTTOM BAR LENGTH	WIDTH	HEIGHT	CATALOG NUMBER	✓ SUBMITTED ITEM
5/8"	7-1/2"	13-1/8"	4-1/2"	RESETTER-1B-NL	

FEATURES

- All brass that comes in contact with potable water conforms to AWWA Standard C800 (UNS NO C89833)
- The product has the letters "NL" cast into the main body for proper identification
- Brass components that do not come in contact with potable water conform to AWWA Standard C800 (ASTM B-62 and ASTM B-584, UNS NO C83600 - 85-5-5-5)
- Conforms to AWWA C700 for Meter Threads.
- All Ford Setters are assembled with lead-free solder.
- Resetter has 13/16" Copper tubing to provide more flow capacity.
- Tandem Resetter can be used to install in series*:
 - *Two meters for comparing registration
 - *A meter and a recording meter
 - *A meter and a pressure or recording gauge
 - *A meter and a pressure regulator

The Ford Meter Box Company considers the information in this submittal form to be correct at the time of publication. Item and option availability, including specifications, are subject to change without notice. Please verify that your product information is current.



The Ford Meter Box Company, Inc.

P.O. Box 443, Wabash, Indiana U.S.A. 46992-0443

Phone: 260-563-3171 / Fax: 800-826-3487

Overseas Fax: 260-563-0167

<http://www.fordmeterbox.com>

12/12/13

Submitted By:



36 Hudson Rd
Sudbury MA 01776



800-225-4616
www.tisales.com