



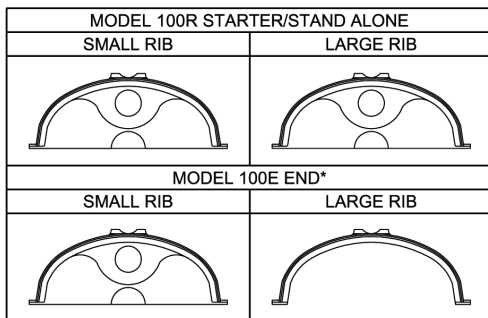
# CULTEC Contactor® 100 Standard Duty Septic Chamber

The Contactor® 100 Standard Duty is a 12.5" (318 mm) tall, low profile chamber and is typically used for installations with depth restrictions or when a larger infiltrative area is required.

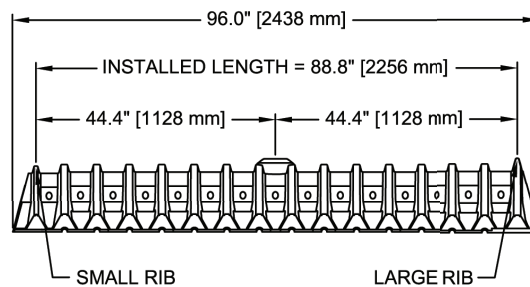
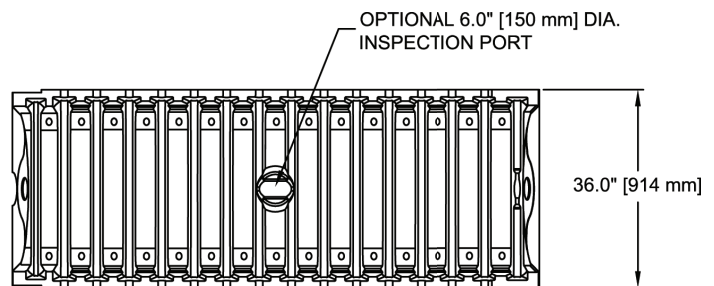
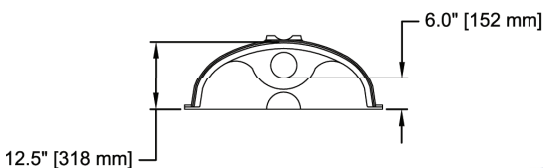
Size (L x W x H)	8' x 36" x 12.5" 2.44 m x 914 mm x 318 mm
Installed Length	7.4' 2.26 m
Length Adjustment per Run	0.6' 0.18 m
Chamber Storage	1.96 ft <sup>3</sup> /ft 0.18 m <sup>3</sup> /m 14.51 ft <sup>3</sup> /unit 0.41 m <sup>3</sup> /unit
Max. Allowable Cover	4' 1.22 m
Max. Inlet Opening in Endwall	10" 250 mm
Invert Height	6" 152 mm



Standard Duty version shown.  
Heavy Duty versions have a blue stripe.  
See separate submittal package for Contactor 100HD Heavy Duty technical information.



\*MAY ALSO BE USED AS AN INTERMEDIATE UNIT TO EXTEND THE LENGTH OF A RUN.



36 Hudson Rd  
Sudbury MA 01776



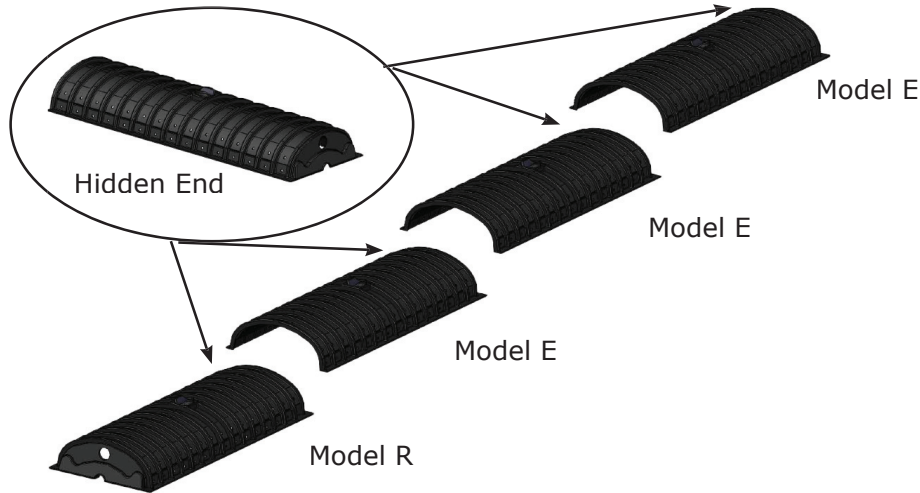
800-225-4616  
www.tisales.com

For more information, contact CULTEC at (203) 775-4416 or visit [www.cultec.com](http://www.cultec.com).



# CULTEC Contactor® 100 Standard Duty Septic Chamber

## Typical Interlock Installation



## CULTEC Contactor® 100 Standard Duty Specifications

### GENERAL

CULTEC Contactor® 100 Standard Duty septic chambers are designed to be used for septic leachfields.

### CHAMBER PARAMETERS

1. The chambers shall be manufactured by CULTEC, Inc. of Brookfield, CT. (203-775-4416 or 1-800-428-5832)
2. The chamber shall be structural foam injection molded of black high molecular weight high density polyethylene (HMWH-DPE).
3. The chamber shall be arched in shape.
4. The chamber shall be open-bottomed.
5. The chamber shall be joined using an interlocking overlapping rib method. Connections must be fully shouldered overlapping ribs, having no separate couplings or separate end walls.
6. The nominal chamber dimensions of the CULTEC Contactor® 100 Standard Duty shall be 12.5 inches (318 mm) tall, 36 inches (914 mm) wide and 8 feet (2.44 m) long. The installed length of a joined Contactor® 100 shall be 7.4 feet (2.26 m).
7. Maximum inlet opening on the chamber endwall is 10 inches (250 mm).
8. The nominal storage volume of the Contactor® 100 chamber shall be 1.961 ft<sup>3</sup> / ft (0.18 m<sup>3</sup> / m). The nominal storage volume of a single Contactor® 100R Starter / Stand Alone unit shall be 15.69 ft<sup>3</sup> (0.44 m<sup>3</sup>). The nominal storage volume of a joined Contactor® 100E as an Intermediate unit shall be 14.51 ft<sup>3</sup> (0.41 m<sup>3</sup>). The nominal storage volume of the length adjustment amount per run shall be 1.18 ft<sup>3</sup> (0.11 m<sup>3</sup>).
9. The Contactor® 100 chamber shall have thirty discharge holes bored into the sidewalls of the unit's core to promote lateral conveyance of water.
10. The Contactor® 100 chamber shall have 16 corrugations.
11. The endwall of the chamber, when present, shall be an integral part of the continuously formed unit. Separate end plates cannot be used with this unit.
12. The Contactor® 100R Starter/Stand Alone unit must be formed as a whole chamber having two fully formed integral endwalls and having no separate end plates or separate end walls.
13. The Contactor® 100E Middle/End unit must be formed as a whole chamber having one fully formed integral endwall and one fully open end wall and having no separate end plates or end walls. Chambers must have horizontal stiffening flex reduction steps between the ribs.
14. Heavy duty units are designated by a colored stripe formed into the part along the length of the chamber.
15. The chamber shall have a raised integral cap at the top of the arch in the center of each unit to be used as an optional inspection port or clean-out.
16. The units may be trimmed to custom lengths by cutting back to any corrugation on the large rib end.
17. The chamber shall be manufactured in an ISO 9001:2008 certified facility.
18. Maximum allowable cover over the top of the chamber shall be 4' (1.22 m) for the Standard Duty version.
19. The standard duty version of the Contactor 100 chamber shall be used for non-traffic applications only.

For more information, contact CULTEC at (203) 775-4416 or visit [www.cultec.com](http://www.cultec.com).