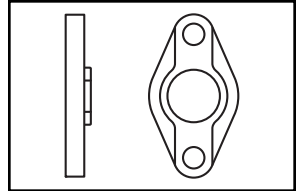
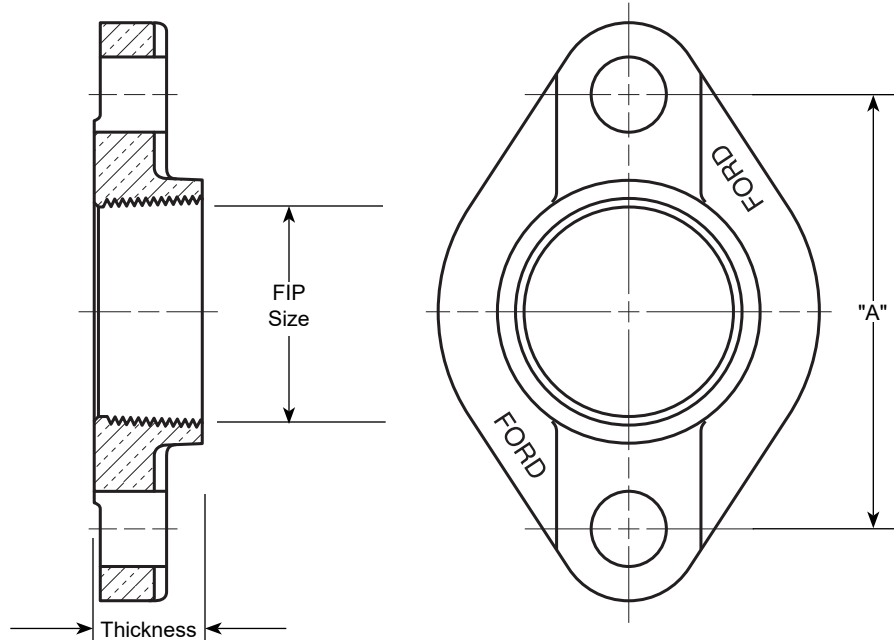


SUBMITTAL INFORMATION

Meter Flange - (CF31-xx-NL style)



METER FLANGE BY FEMALE IRON PIPE THREAD



DESCRIPTION	THICKNESS	APPROX. WT. LBS	PART NUMBER	BOLT HOLE DIAMETER	DIMENSION "A"	✓ SUBMITTED ITEM(S)
1-1/2" Meter Flange x 1-1/2" Female IP	1"	2.4	CF31-66-NL	11/16"	4"	
1-1/2" Meter Flange x 2" Female IP Thread	1"	1.9	CF31-67-NL	11/16"	4"	
2" Meter Flange x 2-1/2" Female IP Thread	1-1/8"	2.6	CF31-78-NL	13/16"	4-1/2"	

FEATURES

- All brass that comes in contact with potable water conforms to AWWA Standard C800 (ASTM B584, UNS C89833)
- The product has the letters "NL" cast into the main body for lead-free identification
- Certified to NSF/ANSI Standard 61 and NSF/ANSI Standard 372 where applicable
- Brass components that do not come in contact with potable water conform to AWWA Standard C800 (ASTM B62 and ASTM B584, UNS C83600, 85-5-5-5)
- Drop-in meter gaskets are included with all 1-1/2" and 2" meter flanges
- Optional slotted bolt holes on 2" flanges to accommodate 1-1/2" meters. Add "-SLOTTED" to end of catalog number.

The Ford Meter Box Company considers the information in this submittal form to be correct at the time of publication. Item and option availability, including specifications, are subject to change without notice. Please verify that your product information is current. Our standard warranty applies.



The Ford Meter Box Company, Inc.

P.O. Box 443, Wabash, Indiana U.S.A. 46992-0443
 Phone: 260-563-3171 / Fax: 800-826-3487
 Overseas Fax: 260-563-0167
 www.fordmeterbox.com

10/05/20

Submitted By:



36 Hudson Rd
 Sudbury MA 01776



800-225-4616
 www.tisales.com