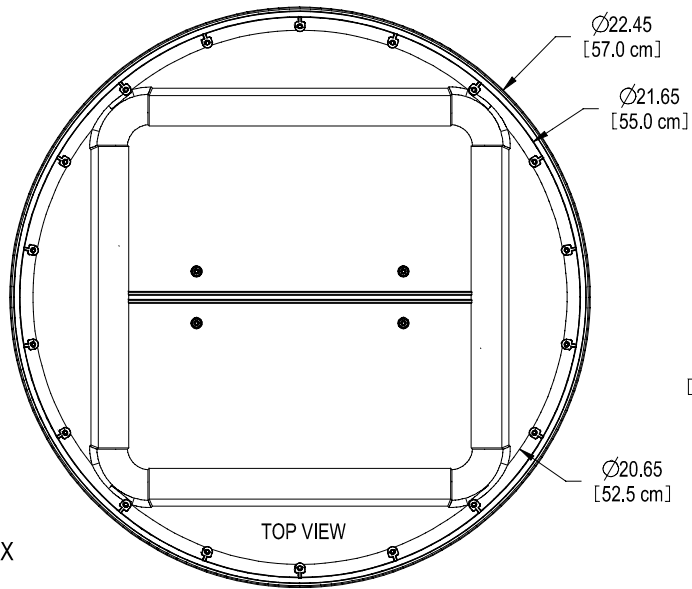


BOTTOM VIEW

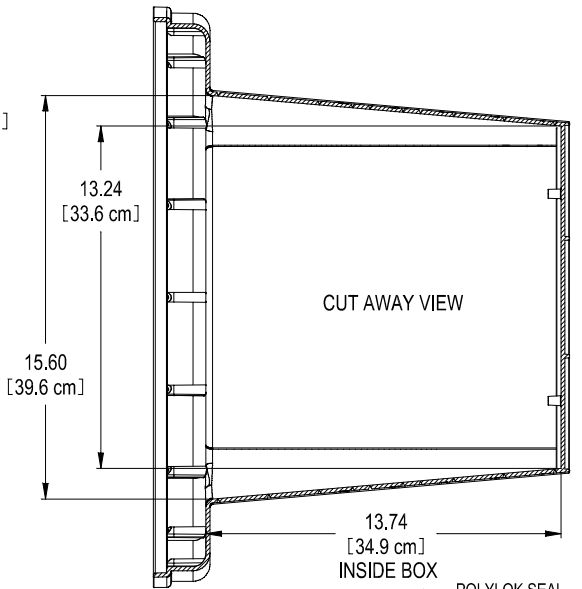


TOP VIEW

Ø22.45 [57.0 cm]

Ø21.65 [55.0 cm]

Ø20.65 [52.5 cm]



CUT AWAY VIEW

13.24 [33.6 cm]

15.60 [39.6 cm]

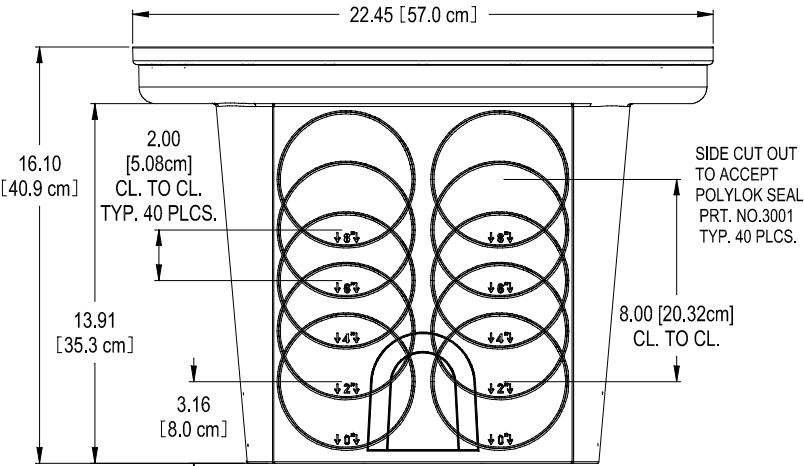
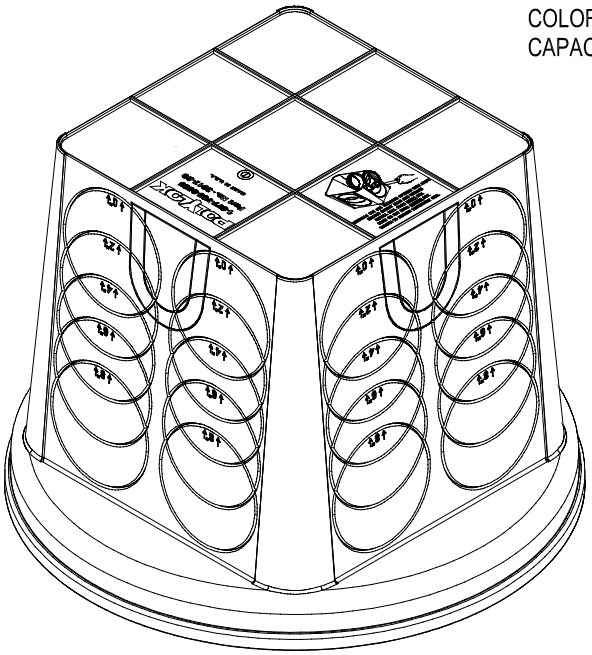
13.74 [34.9 cm]

INSIDE BOX

POLYLOK 20" D-BOX
 PART NO. 3017-20
 MATERIAL - POLYPROPYLENE
 COLOR - BLACK
 CAPACITY - 15 GALLONS

BOX ACCEPTS:
 LIGHT COVER PART NO. - 3009C
 HEAVY COVER PART NO. -3017-C20
 GRATE- PART NO. -3017-G20
 6" TALL RISER PART NO. 3009
 12" TALL RISER PART NO. 3009-R12

POLYLOK SEAL ASSEMBLY PART NO. 3001 (4 SEAL ASSEMBLIES INCLUDED)



FRONT/SIDE VIEW

22.45 [57.0 cm]

16.10 [40.9 cm]

2.00 [5.08cm] CL. TO CL. TYP. 40 PLCS.

13.91 [35.3 cm]

3.16 [8.0 cm]

SIDE CUT OUT TO ACCEPT POLYLOK SEAL PRT. NO.3001 TYP. 40 PLCS.

8.00 [20.32cm] CL. TO CL.

