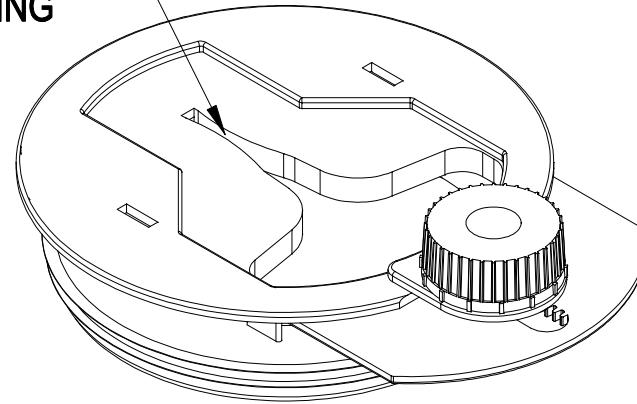
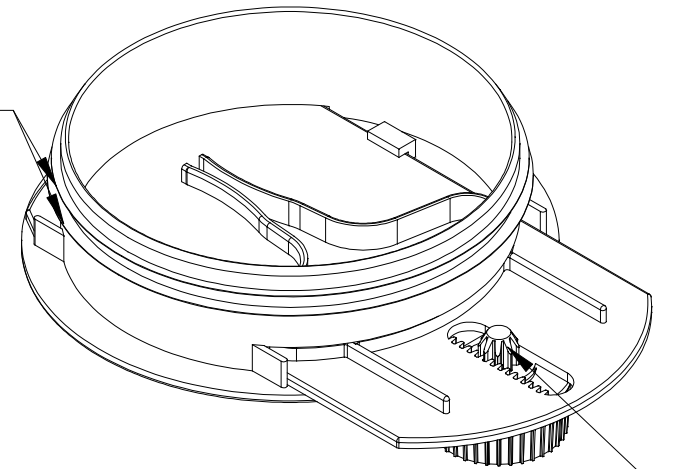


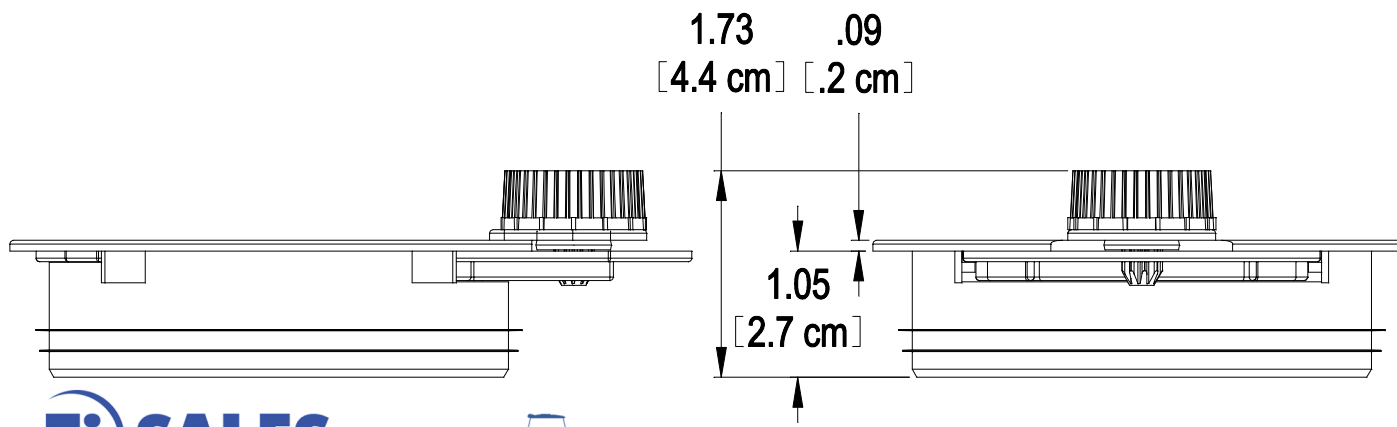
THIS WEIR SHAPE IS SELF LEVELING



THESE RIBS PROVIDE FRICTION FIT FOR ALL 4" PIPE ID



GEAR AND RACK PROVIDES POSITIVE ONE TIME LEVELING



POLYLOK EQUALIZER
 PART NO. - 3049
 MATERIAL - FILLED POLYPROPYLENE

