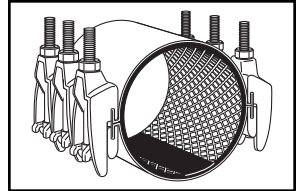
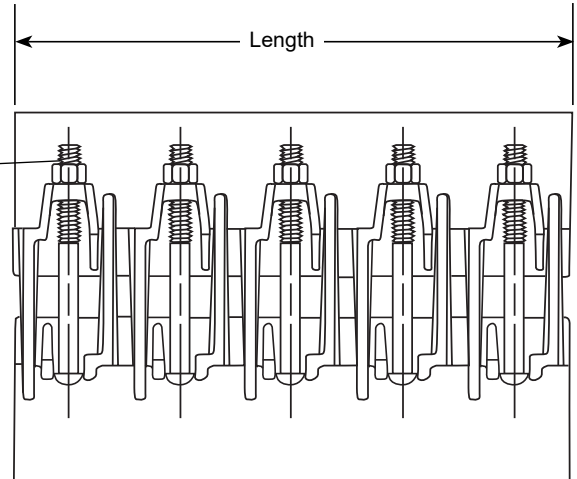
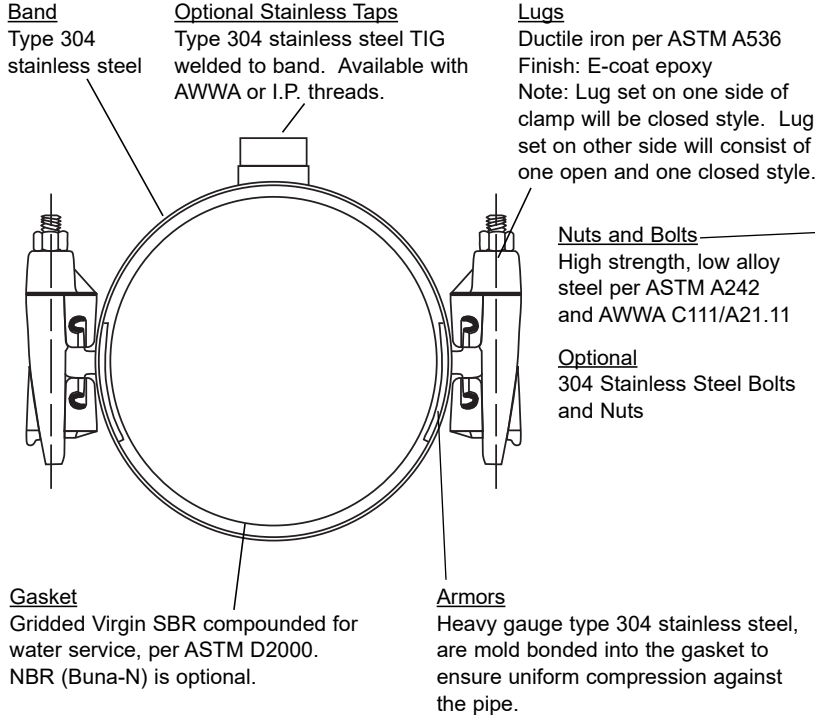


SUBMITTAL INFORMATION

Repair Clamps - (F2-xxx-Length style)



4" TO 8" - TWO SECTION STAINLESS STEEL REPAIR CLAMPS WITH DUCTILE IRON LUGS



OUTLET THREAD TAP CODE

CC (AWWA) Thread		IP Thread	
THREAD	CODE NUMBER	THREAD	CODE NUMBER
3/4" CC	-CC3	3/4" IP	-IP3
1" CC	-CC4	1" IP	-IP4
1-1/4" CC	-CC5	1-1/4" IP	-IP5
1-1/2" CC	-CC6	1-1/2" IP	-IP6
2" CC	-CC7	2" IP	-IP7

NOM. PIPE SIZE	PIPE O.D. RANGE	LENGTH AND APPROXIMATE WEIGHT (LBS.)						BOLT SIZE	BAND THICKNESS	CATALOG NUMBER	✓ SUBMITTED ITEM(S)
		7.5"	10"	12.5"	15"	20"	30"				
4"	*4.44 - 5.24	20	27	32	40	53	80	5/8" x 6-1/2"	20 GA	F2-524-Length	
	4.74 - 5.57									F2-557-Length	
4" Special	4.45 - 5.60		27		40	53	80			F2W-560-Length	
	6.62 - 7.42									F2-742-Length	
6"	6.84 - 7.64	22	29	36	43	57	86			F2-764-Length	
	7.60 - 8.40									F2-840-Length	
	8.62 - 9.42	23	29	38	46	61	92			F2-942-Length	
8"	8.99 - 9.79									F2-979-Length	
		6	8	10	12	16	24				

* 1-1/2" Outlet Tap is the largest available on this size clamp.

FEATURES

- Drop-in bolt design allows bolts to remain attached - no loose parts to lose in the ditch
- Optional outlet taps are available for repair of service line pull-outs
Add tap code to catalog number
- All welds are fully passivated to restore corrosion resistant characteristics of stainless steel
- Removable lugs
- Certified to ANSI/NSF Standard 61

The Ford Meter Box Company considers the information in this submittal form to be correct at the time of publication. Item and option availability, including specifications, are subject to change without notice. Please verify that your product information is current.



The Ford Meter Box Company, Inc.
P.O. Box 443, Wabash, Indiana U.S.A. 46992-0443
Phone: 260-563-3171 / Fax: 800-826-3487
Overseas Fax: 260-563-0167
www.fordmeterbox.com

09/12/19

Submitted By:



36 Hudson Rd
Sudbury MA 01776



800-225-4616
www.tisales.com