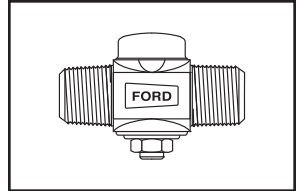
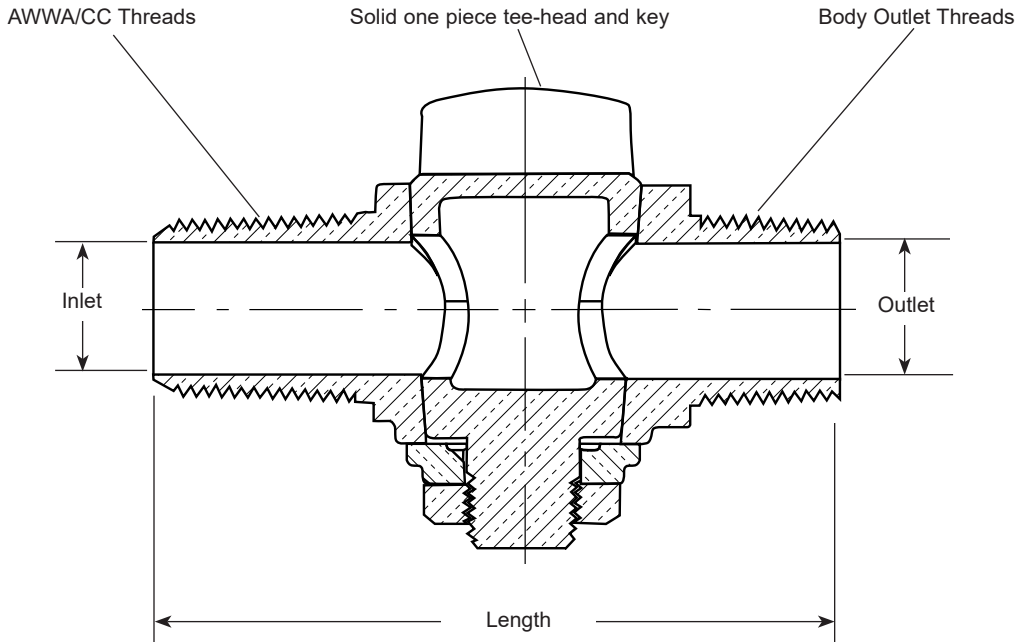


# SUBMITTAL INFORMATION

## Corporation Stops - (F400-x-NL style)



AWWA/CC TAPER THREAD INLET BY MALE IRON PIPE THREAD OUTLET



| VALVE SIZE | INLET SIZE | OUTLET SIZE | VALVE LENGTH | BODY OUTLET THREADS | APPROX. WT. LBS | PART NUMBER | ✓ SUBMITTED ITEM(S) |
|------------|------------|-------------|--------------|---------------------|-----------------|-------------|---------------------|
| 1/2"       | 1/2"       | 1/2"        | 3-1/8"       | 1/2" MIP            | 0.6             | F400-1-NL   |                     |
| 1/2"       | 1/2"       | 3/4"        | 3-1/8"       | 3/4" MIP            | 0.6             | F400-13-NL  |                     |
| 3/4"       | 3/4"       | 3/4"        | 3-13/16"     | 3/4" MIP            | 1.4             | F400-3-NL   |                     |
| 3/4"       | 3/4"       | 1"          | 3-13/16"     | 1" MIP              | 1.4             | F400-34-NL  |                     |
| 1"         | 1"         | 1"          | 4-9/16"      | 1" MIP              | 2.7             | F400-4-NL   |                     |

### FEATURES

- All brass that comes in contact with potable water conforms to AWWA Standard C800 (UNS NO C89833)
- The product has the letters "NL" cast into the main body for proper identification
- UL Classified to ANSI/NSF Standard 61 and Standard 61 Annex G (NSF/ANSI 372)
- Brass components that do not come in contact with potable water conform to AWWA Standard C800 (ASTM B-62 and ASTM B-584, UNS NO C83600 - 85-5-5-5)
- Body design provides larger, more rugged wrench flats for proper installation
- Meets 100 PSI working pressure requirement of AWWA Standard C800

The Ford Meter Box Company considers the information in this submittal form to be correct at the time of publication. Item and option availability, including specifications, are subject to change without notice. Please verify that your product information is current.



#### The Ford Meter Box Company, Inc.

P.O. Box 443, Wabash, Indiana U.S.A. 46992-0443

Phone: 260-563-3171 / Fax: 800-826-3487

Overseas Fax: 260-563-0167

www.fordmeterbox.com

10/03/16

Submitted By:



36 Hudson Rd  
Sudbury MA 01776



800-225-4616  
www.tisales.com