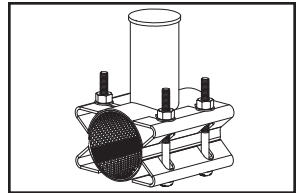


SUBMITTAL INFORMATION

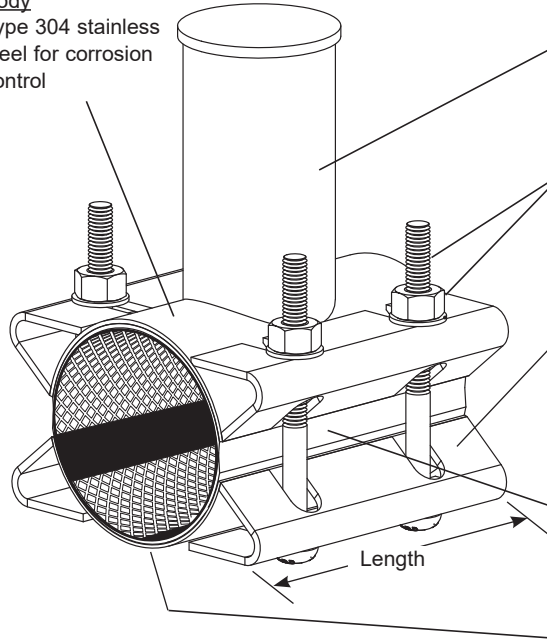
Abandoned Corp Cap - (FACC-xxxx style)



STAINLESS STEEL ABANDONED CORPORATION CAP 14"-24"

Body

Type 304 stainless steel for corrosion control



Cap

Type 304 stainless steel
3" diameter standard for 1/2" - 1" Corp Stops

Hardware

Type 304 heavy gauge stainless steel per ASTM A193 and A194, UNC threads. Heavy hex nuts are coated to prevent galling.

Lugs

Type 304 heavy gauge stainless steel cold formed for additional strength. MIG welded to body.

Armors

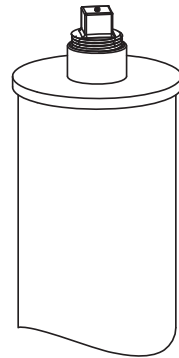
Heavy gauge type 304 stainless steel armors are molded flush into the gasket to bridge the gap between lugs.

Gasket

Gridded virgin SBR compounded for water service per ASTM D2000. Full gasket gives 360° coverage. The outlet gasket is NBR (Buna-N).

Optional Test Plug

Waterworks brass 3/4" with standard square head



NOM PIPE SIZE	RANGE (IN.)	PART NUMBER	SLEEVE LENGTH	CAP HEIGHT	APPROX WEIGHT LBS.	✓ SUBMITTED ITEM(S)		
14"	15.30-15.70	FACC-1570	8"	6-1/4"	38.00			
	15.80-16.20	FACC-1620						
	16.48-16.88	FACC-1688						
16"	17.40-17.80	FACC-1780					42.00	
	17.75-18.15	FACC-1815						
	18.15-18.60	FACC-1860						
18"	18.80-19.20	FACC-1920					45.00	
	19.50-19.92	FACC-1992						
20"	19.80-20.20	FACC-2020					62.00	
	20.20-20.60	FACC-2060						
24"	21.20-21.60	FACC-2160					85.00	
	23.80-24.20	FACC-2420						
	25.60-26.00	FACC-2600						
	26.20-26.60	FACC-2660						

FEATURES

- Body, strap and UNC threaded fasteners all made of type 304 stainless steel
- Optional test plug, add "-TP" to end of part number (Example: FACC-1780-TP)
- Optional 6" diameter, 12-1/4" height cap to encapsulate 1-1/4" through 2" corporation stops, add "-XL" following the sleeve O.D. (Example FACC-1780-XL) Sleeve length will be 12"
- 300 psi working water pressure

The Ford Meter Box Company considers the information in this submittal form to be correct at the time of publication. Item and option availability, including specifications, are subject to change without notice. Please verify that your product information is current. Our standard warranty applies.



The Ford Meter Box Company, Inc.
P.O. Box 443, Wabash, Indiana U.S.A. 46992-0443
Phone: 260-563-3171 / Fax: 800-826-3487
Overseas Fax: 260-563-0167
www.fordmeterbox.com

07/30/20

Submitted By:



36 Hudson Rd
Sudbury MA 01776



800-225-4616
www.tisales.com