

# POLYLOK™ FILTER ALARM SYSTEM

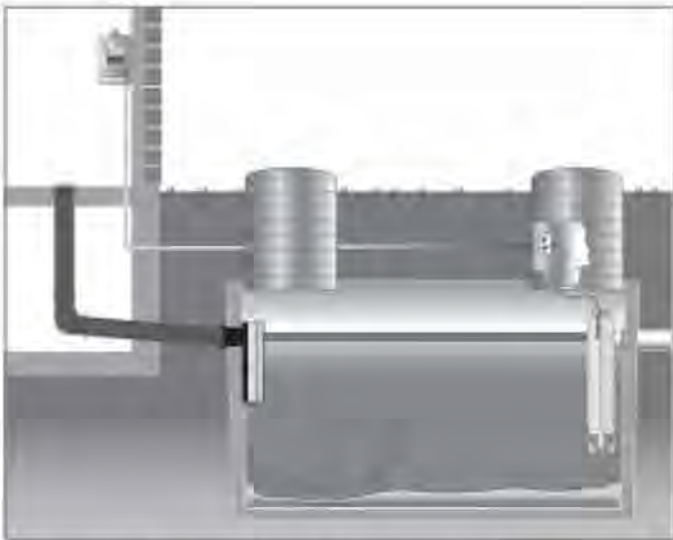
**Effluent filter, control switch, and indoor/outdoor alarm panel designed to extend the life of the effluent treatment system in most onsite septic systems.**

## APPLICATIONS

The Polylok™ filter alarm panel and switch provides a visual/audio alarm to alert the home or business owner that the septic tank filter needs cleaning. This is an ongoing maintenance program on the septic system. It is the responsibility of the owner to call a service company for cleaning service.

The Polylok™ filter alarm switch activates when the filter cartridge is near capacity on solids that have built up through the filtering process. The filter alarm switch sends a signal to the alarm panel activating the septic tank alarm. The owner will need to call for immediate service.

The system should be installed by a licensed, insured septic service company. The filter alarm switch is inserted into the top of the Polylok™ filter cartridge and the alarm wires are connected to the alarm panel wiring. All wiring is to conform to NEC wiring, state or local codes.



*Typical Polylok™ Filter Alarm System Installation*



## SPECIFICATIONS

### Alarm Panel:

**Enclosure:** 6.5 x 4.5 x 3.0 inch (16.51 x 11.43 x 7.62 cm), indoor/outdoor, weatherproof, thermoplastic

**Horn:** 82 decibels at 10 feet (3 meters)

**Electrical:** 120 VAC, 50/60Hz, 7 watts max. (alarm condition)

### Control Switch:

VRS control switch with magnetically-activated reed switch

**Control Differential:** .375 inches (1 cm)

**Maximum Angle from Vertical:** 5°

**Cable:** 10 feet (3 meters), flexible 18 gauge, 2 conductor SJOW (UL, CSA), water-resistant (CPE)

**Housing and Float:** 1.60 inch diameter x 6.7 inch long (4.06 cm x 17.01 cm), high impact, corrosion resistant PVC for use in sewage and non-potable water up to 120°F (50°C)

### Electrical:

5 amps, 125 VAC/250 VAC, 50/60 Hz

## FEATURES

- Complete package includes standard VRS control switch with 10 feet (3 meters) of cable, indoor/outdoor alarm panel, and an effluent filter
- Alarm panel features manual alarm test switch and horn silence switch
- Alarm horn rated 82 decibels at 10 feet (3 meters)
- Direct interface of control switch and effluent filter insures proper placement of switch
- Three-year limited warranty

# POLYLOK™ Inc.

3 Fairfield Blvd. Wallingford, CT 06492  
Phone: (877) 765-9565 Fax: (203) 284-8514  
sales@polylok.com www.polylok.com

# Filter Alarm system installation instructions

## ⚠ WARNING



### ELECTRICAL SHOCK HAZARD

Disconnect power before installing or servicing this product. A qualified service person must install and service this product according to applicable electrical and plumbing codes.

## ⚠ WARNING



### EXPLOSION OR FIRE HAZARD

Do not use this product with flammable liquids. Do not install in hazardous locations as defined by National Electrical Code, ANSI/NFPA 70.

Failure to follow these precautions could result in serious injury or death.  
Keep these instructions with warranty after installation.

Install in accordance with National Electric Code, ANSI/NFPA 70 to prevent moisture from entering or accumulating within boxes, conduit bodies, fittings, float housing, or cable.

## INSTALL ALARM AND CONTROL SWITCH

1. Determine mounting location for alarm panel. Position so side instruction label is visible and readable.
2. Mount alarm box using existing holes in back of box. To ensure a watertight seal, use screws and sealing washers included with alarm.
3. Determine "conduit-in" locations on alarm (see Figure A).
4. Drill holes for conduit entry, taking care not to damage bosses inside alarm box.
5. Attach conduit. Use liquid-tight connectors if installing outdoors.
6. Bring control switch cable through conduit and attach to terminal block 1 (TB1) positions 3 and 4 (see Figure A). Leave adequate cable for filter removal. **Note:** Cable is not suitable for direct burial.
7. Attach input power conductors to TB1 positions 1 (line 1) and 2 (neutral), and ground wire to ground termination post (see Figure A).
8. Attach alarm box cover using the four pre-installed screws.
9. Turn on power.

## TEST SYSTEM

1. Check installation by moving control switch float upward. The system should indicate an alarm condition.
2. Push test/normal/silence switch to silence horn (beacon should remain illuminated).

## INSERT SWITCH INTO FILTER

1. Guide switch through receiving hole in filter as shown in Figure B.
2. Align keys on switch housing to match with slots in filter handle.
3. Slide housing into handle, press down firmly on switch housing and turn clockwise (approximately 90°) until switch snaps into place. Filter handle and switch housing insure proper location of switch.

## INSTALL FILTER

1. Slide filter into Polylok™ housing until filter is fully engaged.
2. Reset test/normal/silence switch to normal (center) position.

Figure A

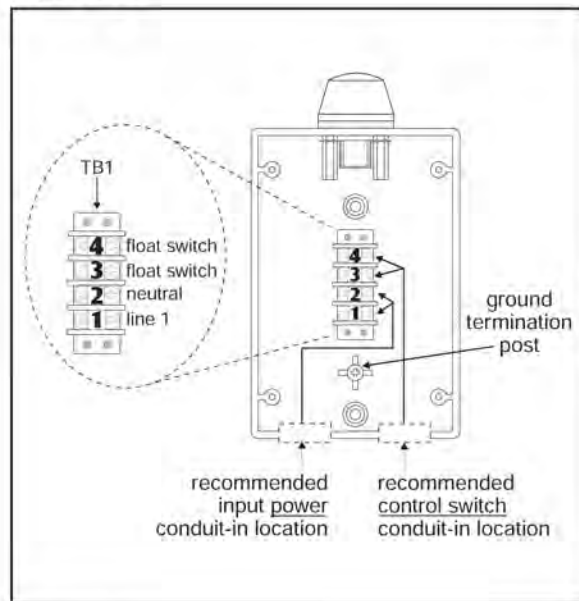
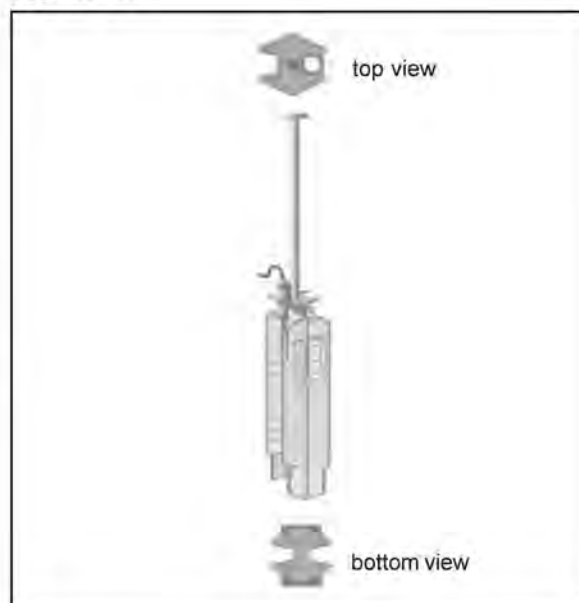


Figure B



**Ti SALES**

36 Hudson Rd  
Sudbury MA 01776



800-225-4616  
www.tisales.com

**POLYLOK**™ Inc.

3 Fairfield Blvd. Wallingford, CT 06492  
Phone: (877) 765-9565 Fax: (203) 284-8514  
sales@polylok.com www.polylok.com