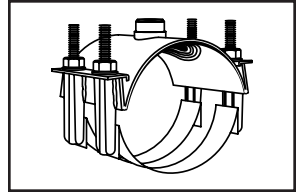


# SUBMITTAL INFORMATION

## Stainless Steel Saddle- (FRS202-xxx-xxx style)

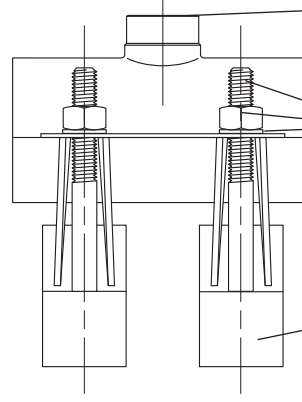
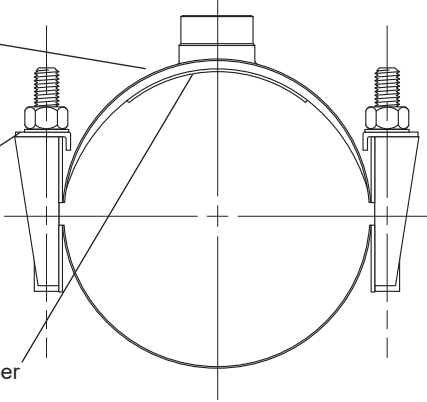


### STAINLESS STEEL DOUBLE BAND REPAIR SADDLES

Body - 7-1/2" wide type 304 stainless steel for total corrosion control.

Lifter Bar - Type 304 stainless steel provides a heavy surface for nuts

Gasket - NBR (Buna-N) per ASTM D2000 rubber with circular grid.



Taps - Type 304 stainless steel available in 3/4" through 2" FIP, AWWA or BSP threads.

Studs, nuts and washers - Type 304 stainless steel. Nuts are coated to prevent galling.

Bands - Heavy gauge type 304 stainless steel.

NOM. PIPE SIZE	O.D. RANGE	BAND QTY.	BAND WIDTH	APPROX. WT. LBS.	CATALOG NUMBER	✓ SUBMITTED ITEM(S)
4"	4.75" - 5.35"	2	2"	7.4	FRS202-535-Tap	
6"	6.85" - 7.60"			7.8	FRS202-760-Tap	
8"	9.00" - 9.79"			8.3	FRS202-979-Tap	
10"	11.00" - 11.80"			8.8	FRS202-1180-Tap	
	11.50" - 12.25"			8.9	FRS202-1225-Tap	
12"	13.10" - 13.90"			9.2	FRS202-1390-Tap	
	13.60" - 14.40"			9.3	FRS202-1440-Tap	
14"	15.20" - 16.00"			9.4	FRS202-1600-Tap	
16"	17.20" - 18.00"			10.0	FRS202-1800-Tap	
18"	19.20" - 20.00"			1	7"	12.5
20"	21.40" - 22.20"	13.1	FRS202-2220-Tap			
24"	23.20" - 24.00"	13.6	FRS202-2400-Tap			
	25.60" - 26.40"	15.7	FRS202-2640-Tap			
30"	31.30" - 32.00"	16.2	FRS202-3200-Tap			
	32.00" - 32.80"	17.4	FRS202-3280-Tap			
36"	35.40" - 36.20"	18.8	FRS202-3620-Tap			
	37.50" - 38.30"	19.7	FRS202-3830-Tap			

#### OUTLET TAP CODE

CC (AWWA) THREAD			IP THREAD			BSP THREAD		
THREAD	CODE NUMBER	✓ SUBMITTED ITEM(S)	THREAD	CODE NUMBER	✓ SUBMITTED ITEM(S)	THREAD	CODE NUMBER	✓ SUBMITTED ITEM(S)
3/4" CC	CC3		3/4" IP	IP3		3/4" IP	BSP3	
1" CC	CC4		1" IP	IP4		1" IP	BSP4	
1-1/4" CC	CC5		1-1/4" IP	IP5		1-1/4" IP	BSP5	
1-1/2" CC	CC6		1-1/2" IP	IP6		1-1/2" IP	BSP6	
2" CC	CC7		2" IP	IP7		2" IP	BSP7	

**To Order:** Select the catalog number for the desired pipe range and complete the catalog number by adding the outlet thread tap code. Example: A double band repair saddle for 9.79 O.D. pipe with a 3/4" CC thread would be FRS202-979-CC3.

#### FEATURES

- 7-1/2" wide body, bands and 5/8" NC threaded studs are made of type 304 stainless steel. All welds are fully passivated for corrosion resistance
- Gasket is tapered NBR (Buna-N) rubber per ASTM D2000 with circular grid

The Ford Meter Box Company considers the information in this submittal form to be correct at the time of publication. Item and option availability, including specifications, are subject to change without notice. Please verify that your product information is current. Our standard warranty applies.



**The Ford Meter Box Company, Inc.**  
 P.O. Box 443, Wabash, Indiana U.S.A. 46992-0443  
 Phone: 260-563-3171 / Fax: 800-826-3487  
 Overseas Fax: 260-563-0167  
 www.fordmeterbox.com

10/04/21

Submitted By:



36 Hudson Rd  
 Sudbury MA 01776



800-225-4616  
 www.tisales.com