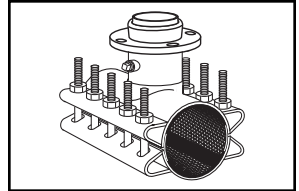
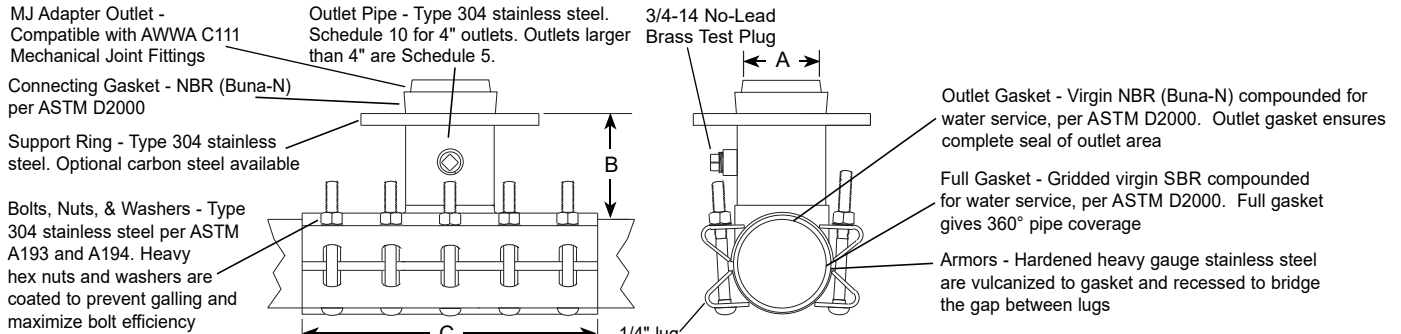


# SUBMITTAL INFORMATION

## Stainless Steel Tapping Sleeve 14"-24" - (FTSS-xxxx-xx-MJ style)



### TAPPING SLEEVE WITH STAINLESS STEEL OR CARBON STEEL MECHANICAL JOINT OUTLET



NOM. PIPE SIZE	SLEEVE O.D. RANGE (IN.)	CATALOG NUMBER	MJ OUTLET SIZE*	APPROX. WT.	NOM. DIM. - INCHES		SADDLE THICKNESS (GAUGE)	STRAP THICKNESS (GAUGE)	BOLT SIZE	No. BOLTS	✓ SUBMITTED ITEM(S)								
					A	B													
14"	15.22-15.70	FTSS-1570-xx-MJ	4"	75	4-1/4	5-3/16	.105" (12)	.075" (14)	3/4"x8-1/2"	10									
			6"	82	6-13/32	5-1/2					16								
	15.80-16.20	FTSS-1620-xx-MJ	8"	102	8-13/32	5-5/8					20								
			10"	110	10-27/64	6-1/8					20								
			12"	146	12-27/64	6-1/4					24								
			14"	166	14	6-3/8					24								
16"	17.32-17.80	FTSS-1780-xx-MJ	4"	75	4-1/4	5-3/16	.105" (12)	.075" (14)	3/4"x8-1/2"	10									
			6"	82	6-13/32	5-1/2					16								
	17.75-18.15	FTSS-1815-xx-MJ	8"	102	8-13/32	5-5/8					20								
			10"	110	10-27/64	6-1/8					20								
			12"	146	12-27/64	6-1/4					24								
			14"	168	14	6-3/8					24								
18"	18.60-19.00	FTSS-1900-xx-MJ	16"	175	16	6-3/8	.105" (12)	.075" (14)	3/4"x8-1/2"	16									
			18"	211	18	6-3/8					32								
	19.42-19.92	FTSS-1992-xx-MJ	4"	84	4-1/4	5-3/16					.105" (12)	.075" (14)	3/4"x8-1/2"	10					
			6"	90	6-13/32	5-1/2									16				
			8"	112	8-13/32	5-5/8									20				
			10"	120	10-27/64	6-1/8									20				
20"	19.80-20.20	FTSS-2020-xx-MJ	12"	160	12-27/64	6-1/4	.105" (12)	.075" (14)	3/4"x8-1/2"	16									
			14"	188	14	6-3/8									24				
	20.20-20.60	FTSS-2060-xx-MJ**	16"	201	16	6-3/8					.105" (12)	.075" (14)	3/4"x8-1/2"	16					
			18"	211	18	6-3/8									36				
			20"	224	20	6-3/8									40				
			4"	86	4-1/4	5-3/16									.105" (12)	.075" (14)	3/4"x8-1/2"	10	
6"	92	6-13/32	5-1/2	16															
8"	114	8-13/32	5-5/8	20															
10"	123	10-27/64	6-1/8	20															
12"	162	12-27/64	6-1/4	24															
14"	190	14	6-3/8	24															
24"	21.86-22.26	FTSS-2226-xx-MJ	16"	204	16	6-3/8	.105" (12)	.075" (14)	3/4"x8-1/2"	16									
			18"	214	18	6-3/8					36								
	23.80-24.20	FTSS-2420-xx-MJ**	20"	224	20	6-3/8					.105" (12)	.075" (14)	3/4"x8-1/2"	20					
			4"	97	4-1/4	5-3/16									.105" (12)	.075" (14)	3/4"x8-1/2"	10	
			6"	103	6-13/32	5-1/2													16
			8"	127	8-13/32	5-5/8													20
10"	136	10-27/64	6-1/8	20															
12"	178	12-27/64	6-1/4	24															
26.20-26.60	FTSS-2600-xx-MJ	14"	203	14	6-3/8	.105" (12)	.075" (14)	3/4"x8-1/2"	16										
		16"	216	16	6-3/8					32									
	26.20-26.60	FTSS-2660-xx-MJ	18"	226	18					6-3/8	.105" (12)	.075" (14)	3/4"x8-1/2"	18					
			20"	236	20					6-3/8					40				
			4"	97	4-1/4					5-3/16					.105" (12)	.075" (14)	3/4"x8-1/2"	10	
			6"	103	6-13/32					5-1/2									16
8"	127	8-13/32	5-5/8	20															
10"	136	10-27/64	6-1/8	20															
12"	178	12-27/64	6-1/4	24															
14"	203	14	6-3/8	24															
16"	216	16	6-3/8	32															
18"	226	18	6-3/8	36															
20"	236	20	6-3/8	40															
24"	246	24	6-3/8	48															

\* For carbon steel outlet, add "A" to the catalog number. Example: The complete FTSS catalog number for a 16" pipe (17.40 O.D.) with a 12" stainless steel MJ outlet is FTSS-1780-12-MJ. For a carbon steel outlet the number is FTSS-1780-12A-MJ.

\*\*Size-on-size not available.

**Note:** Highlighted ranges are recommended for ductile iron pipe, pit cast and C900/C905 pipe applications.

#### FEATURES

- Body, straps and hardware are made of type 304 stainless steel. Support ring can be either type 304 stainless steel or ASTM A36 carbon steel. All welds are fully passivated for corrosion resistance
- Certified to ANSI/NSF Standard 61
- Complies with AWWA C223 and MSS SP-124

The Ford Meter Box Company considers the information in this submittal form to be correct at the time of publication. Item and option availability, including specifications, are subject to change without notice. Please verify that your product information is current. Our standard warranty applies.



**The Ford Meter Box Company, Inc.**  
 P.O. Box 443, Wabash, Indiana U.S.A. 46992-0443  
 Phone: 260-563-3171 / Fax: 800-826-3487  
 Overseas Fax: 260-563-0167  
 www.fordmeterbox.com

02/10/20

Submitted By:



36 Hudson Rd  
 Sudbury MA 01776



800-225-4616  
 www.tisales.com