

EXTENSION KITS FOR  CLOW 2500 FIRE HYDRANTS

SPECIFICATIONS

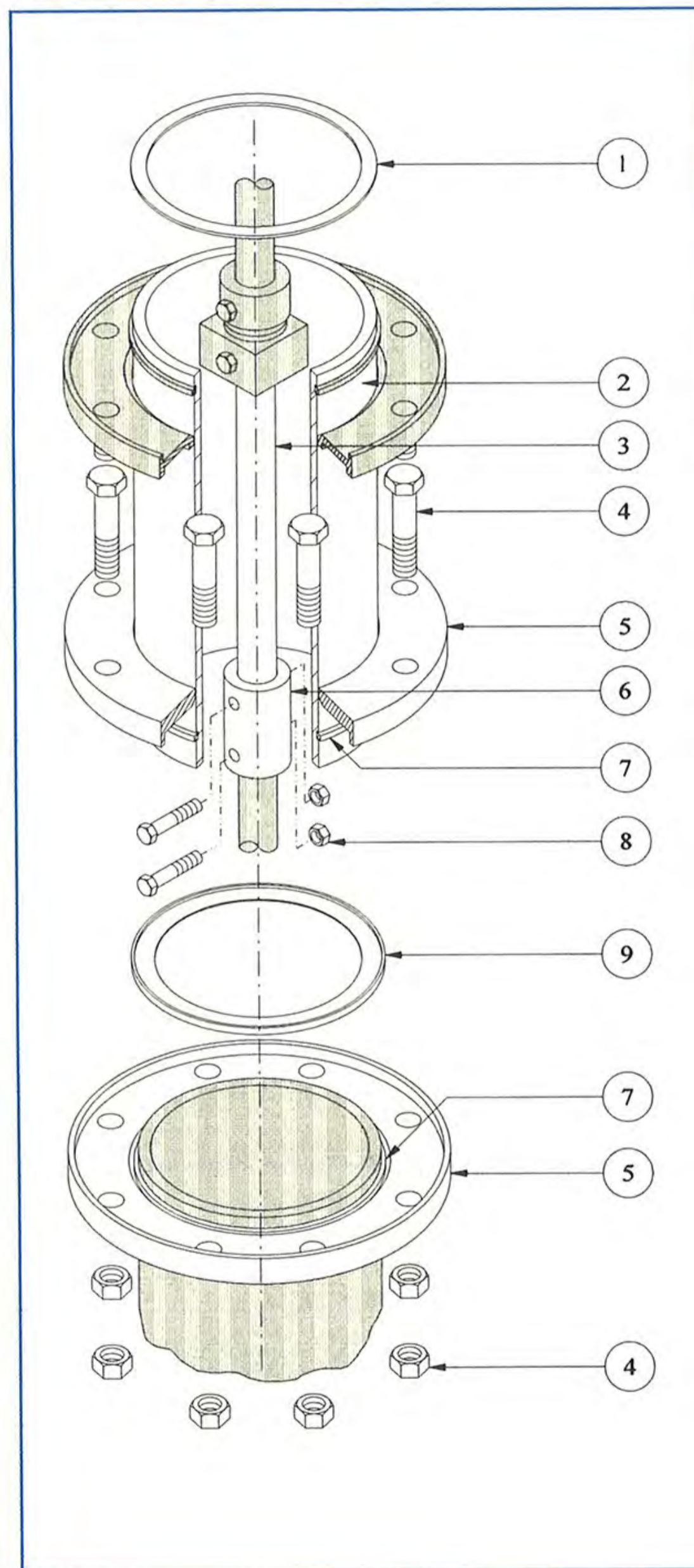
ITEM NUMBER	DESCRIPTION	MATERIAL	QTY.
1	Upper Standpipe Gasket	Neoprene	1
2	Standpipe Extension	Ductile Pipe	1
3	Extension Stem	Steel	1
4	Bolt & Nut	Zinc-Plated Steel	8
5	Unbreakable Standpipe Flange	Ductile Iron	2
6	Extension Stem Coupling	Cast Iron	1
7	Snap Ring	Stainless Steel	2
8	Coupling Bolt & Nut	Stainless Steel	2
9	Lower Standpipe Gasket	Molded "T" Neoprene	1

SIZE: 4½" or 5¼" Main Valve Opening

HRPI Products are engineered and manufactured using the latest computerized technology to ensure quality products with repeatable tolerances.

HRPI Guarantees this product to be compatible, and will operate with the fire hydrant when installed properly. The use of this product shall not affect any published warranties available to the buyer.

PRODUCTS MEET OR EXCEED THE AWWA C502 STANDARD FOR DRY-BARREL FIRE HYDRANTS.



FAX: (918) 224-6857

Hydrant Repair Parts, Inc.

7900 New Sapulpa Road, Tulsa, OK 74131 • (918) 224-8713

1-800-776-8713 or 1-800-548-9123

SPECIFICATIONS

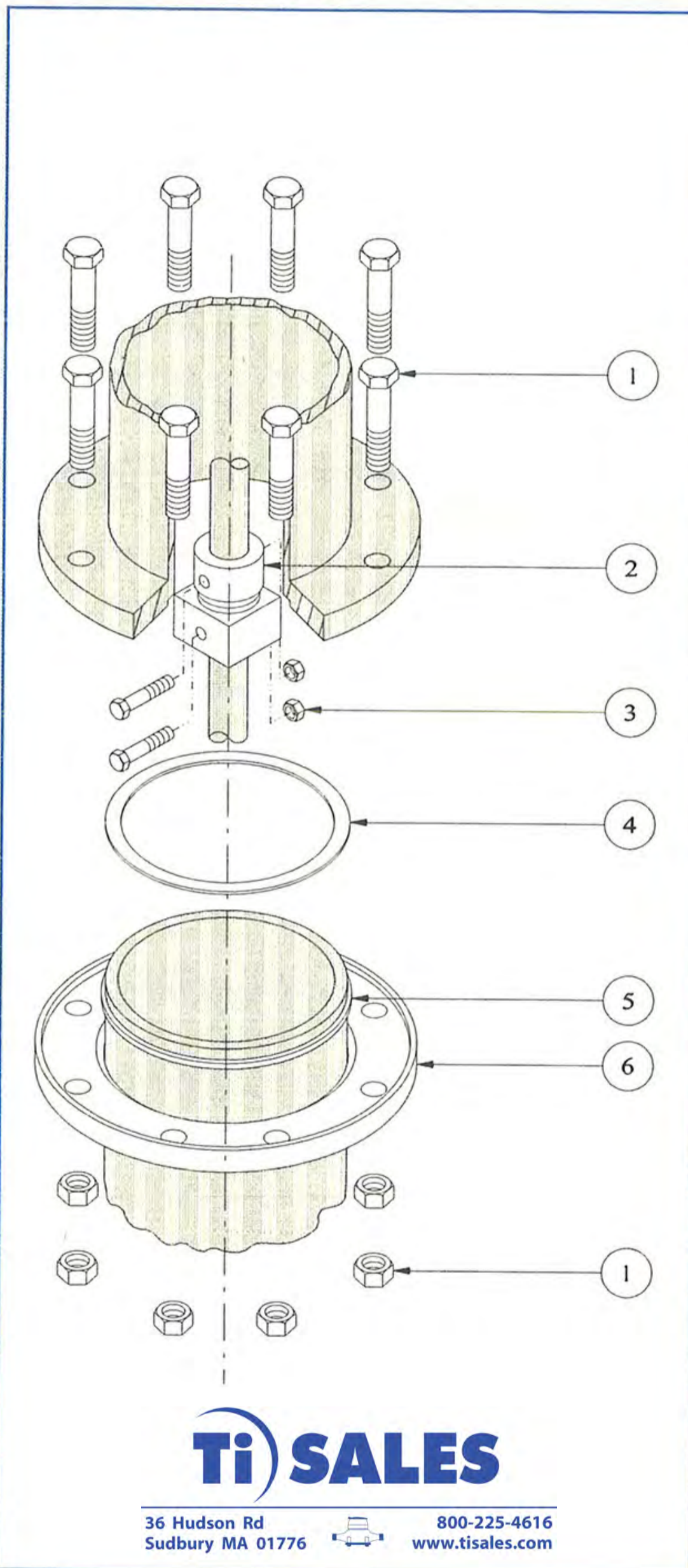
ITEM NUMBER	DESCRIPTION	MATERIAL	QTY.
1	Bolt & Nut	Zinc-Plated Steel	8
2	Safety Stem Coupling	Cast Iron	1
3	Coupling Bolt & Nut	Stainless Steel	2
4	Upper Standpipe Gasket	Neoprene	1
5	Snap Ring	Stainless Steel	1
6	Safety Flange	Cast Iron	1

SIZE: 4½" or 5¼" Main Valve Opening

HRPI Products are engineered and manufactured using the latest computerized technology to ensure quality products with repeatable tolerances.

HRPI Guarantees this product to be compatible, and will operate with the fire hydrant when installed properly. The use of this product shall not affect any published warranties available to the buyer.

PRODUCTS MEET OR EXCEED THE AWWA C502 STANDARD FOR DRY-BARREL FIRE HYDRANTS.



Ti SALES

36 Hudson Rd
Sudbury MA 01776  800-225-4616
www.tisales.com



FAX: (918) 224-6857

Hydrant Repair Parts, Inc.

7900 New Sapulpa Road, Tulsa, OK 74131 • (918) 224-8713

1-800-776-8713 or 1-800-548-9123

Clow is a registered trademark of Clow Valve Co., a division of McWane, Inc., Okaloosa, Iowa.
Hydrant Repair Parts, Inc., is not affiliated with Clow Valve Co.