

EXTENSION KITS FOR  M & H 129 (OLD STYLE) FIRE HYDRANTS

SPECIFICATIONS

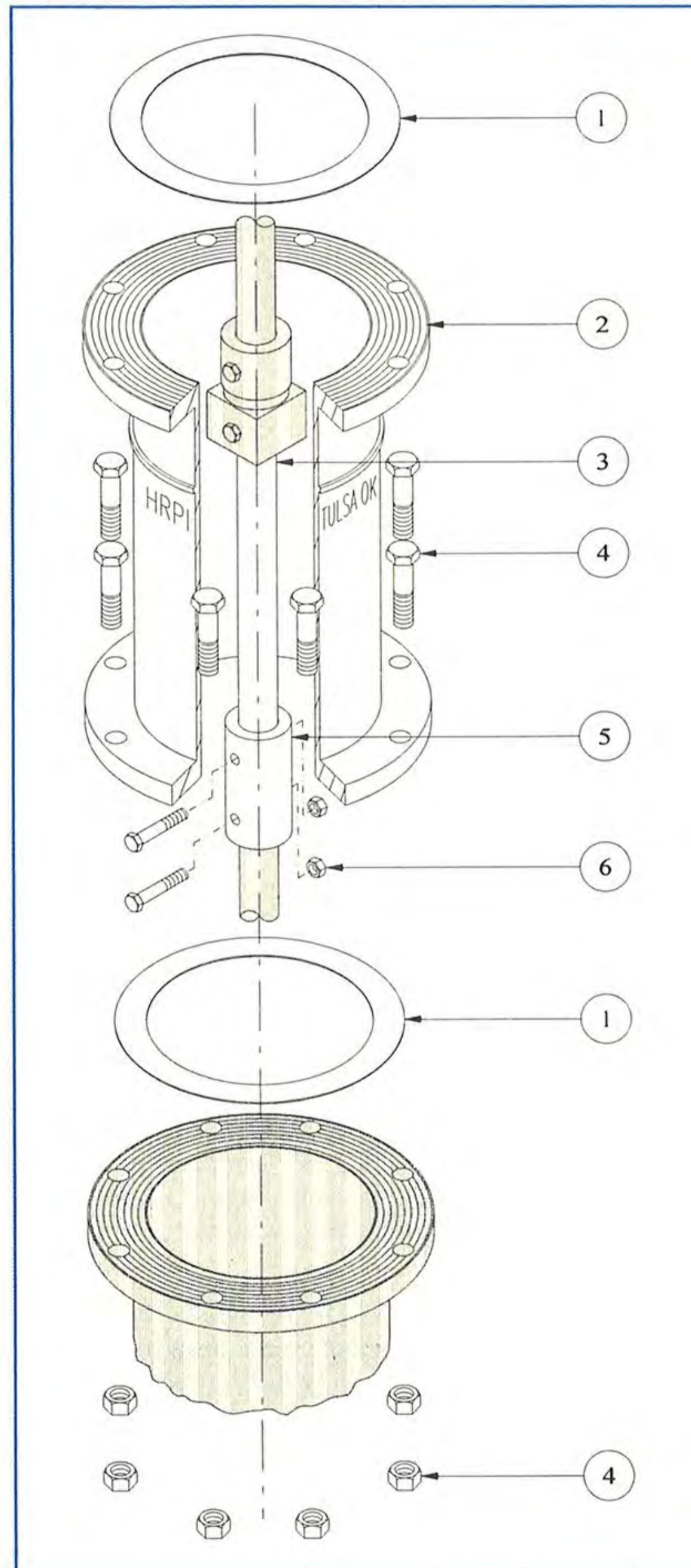
ITEM NUMBER	DESCRIPTION	MATERIAL	QTY.
1	Flange Gasket	Cloth-Inserted SBR Rubber	2
2	Extension Barrel	Ductile Iron	1
3	Extension Stem	Steel	1
4	Non-Breakable Bolt & Nut	Zinc-Plated Steel	8
5	Extension Stem Coupling	Cast Iron	1
6	Coupling Bolt & Nut	Stainless Steel	2

SIZE: 4½" or 5¼" Main Valve Opening

HRPI Products are engineered and manufactured using the latest computerized technology to ensure quality products with repeatable tolerances.

HRPI Guarantees this product to be compatible, and will operate with the fire hydrant when installed properly. The use of this product shall not affect any published warranties available to the buyer.

PRODUCTS MEET OR EXCEED THE AWWA C502 STANDARD FOR DRY-BARREL FIRE HYDRANTS.



FAX: (918) 224-6857

Hydrant Repair Parts, Inc.

7900 New Sapulpa Road, Tulsa, OK 74131 • (918) 224-8713

1-800-776-8713 or 1-800-548-9123

SPECIFICATIONS

ITEM NUMBER	DESCRIPTION	MATERIAL	QTY.
1	Breakable Bolt & Nut	Zinc-Plated Steel	8
2A	Round, Breakable Stem Coupling (OLD STYLE)	Cast Iron	1*
2B	Square, Breakable Stem Coupling (NEW STYLE)	Cast Iron	1*
3	Coupling Bolt & Nut	Stainless Steel	2
4	Flange Gasket	Cloth-Inserted SBR Rubber	1

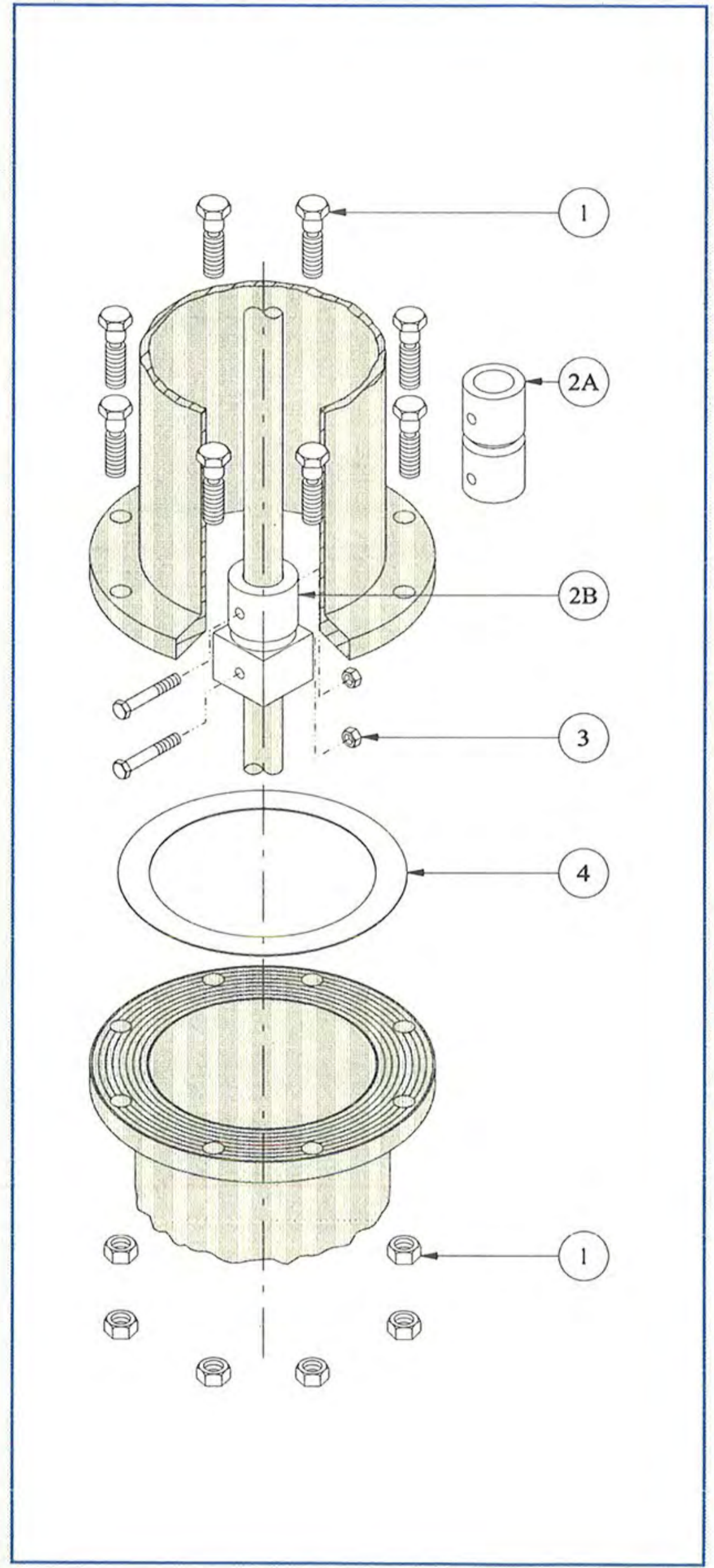
*Note: When ordering, specify whether round or square coupling.

SIZE: 4½" or 5¼" Main Valve Opening

HRPI Products are engineered and manufactured using the latest computerized technology to ensure quality products with repeatable tolerances.

HRPI Guarantees this product to be compatible, and will operate with the fire hydrant when installed properly. The use of this product shall not affect any published warranties available to the buyer.

PRODUCTS MEET OR EXCEED THE AWWA C502 STANDARD FOR DRY-BARREL FIRE HYDRANTS.



FAX: (918) 224-6857

Hydrant Repair Parts, Inc.

7900 New Sapulpa Road, Tulsa, OK 74131 • (918) 224-8713

1-800-776-8713 or 1-800-548-9123

M & H is a registered trademark of the M&H Valve Co., a division of McWane, Inc., Anniston, AL.
Hydrant Repair Parts, Inc., is not affiliated with the M&H Valve Co.