

EXTENSION KITS
FOR  U.S. PIPE H200 & H205
FIRE HYDRANTS

SPECIFICATIONS

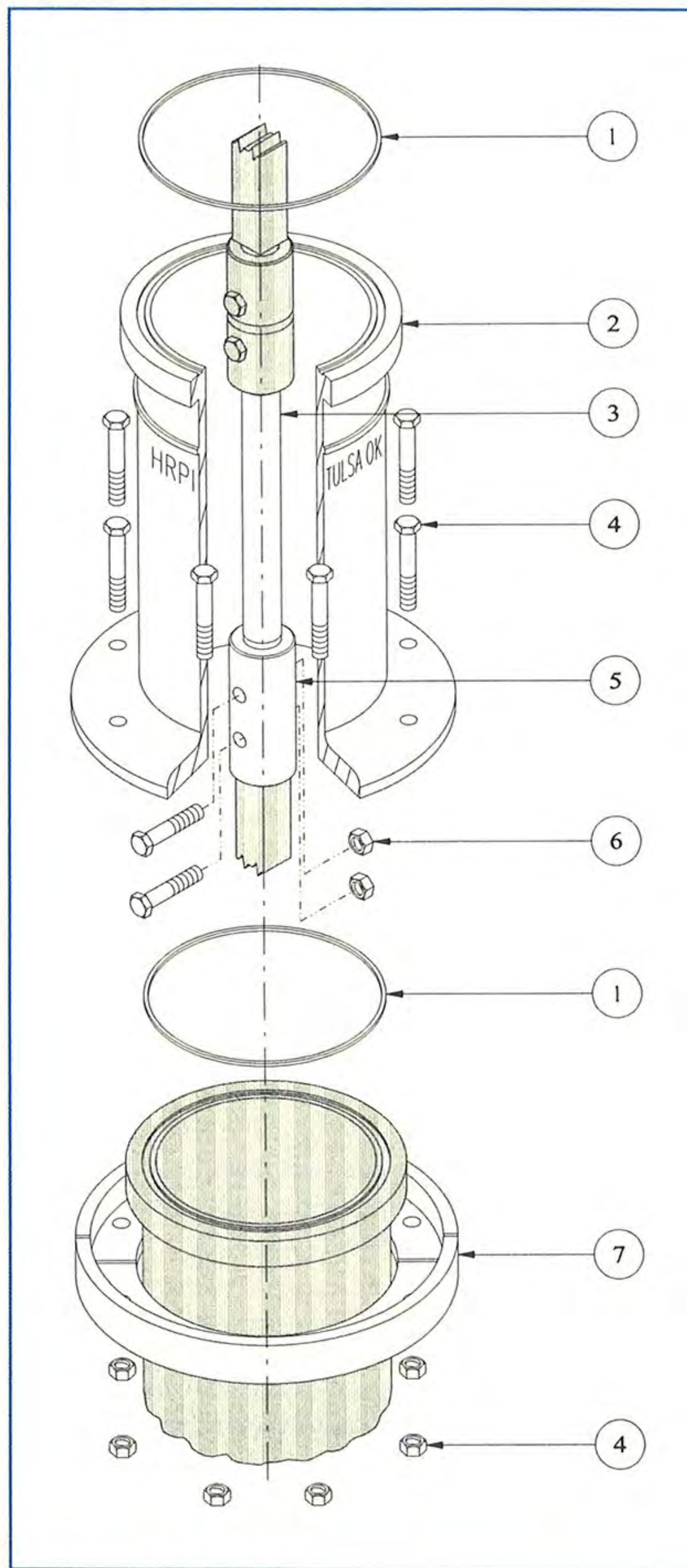
| ITEM NUMBER | DESCRIPTION | MATERIAL | QTY. |
|-------------|--|-------------------------|------|
| 1 | Standpipe "O"-Ring | Lathe-Cut Buna-N Rubber | 2 |
| 2 | Extension Barrel | Cast Iron or Ductile | 1 |
| 3 | Extension Stem | Steel | 1 |
| 4 | Bolt & Nut | Zinc-Plated Steel | 8 |
| 5 | Extension Stem Coupling | Cast Iron | 1 |
| 6 | Coupling Bolt & Nut | Stainless Steel | 2 |
| 7 | Standpipe Extension Flange (HALF CIRCLE) | Ductile Iron | 2 |

SIZE: 4 $\frac{3}{8}$ " or 5 $\frac{1}{4}$ " Main Valve Opening

HRPI Products are engineered and manufactured using the latest computerized technology to ensure quality products with repeatable tolerances.

HRPI Guarantees this product to be compatible, and will operate with the fire hydrant when installed properly. The use of this product shall not affect any published warranties available to the buyer.

PRODUCTS MEET OR EXCEED THE AWWA C502 STANDARD FOR DRY-BARREL FIRE HYDRANTS.



FAX: (918) 224-6857

Hydrant Repair Parts, Inc.

7900 New Sapulpa Road, Tulsa, OK 74131 • (918) 224-8713

1-800-776-8713 or 1-800-548-9123

U.S. Pipe is a registered trademark of U.S. Pipe & Foundry Co., Birmingham, AL.
Hydrant Repair Parts, Inc., is not affiliated with U.S. Pipe & Foundry Co.

SPECIFICATIONS

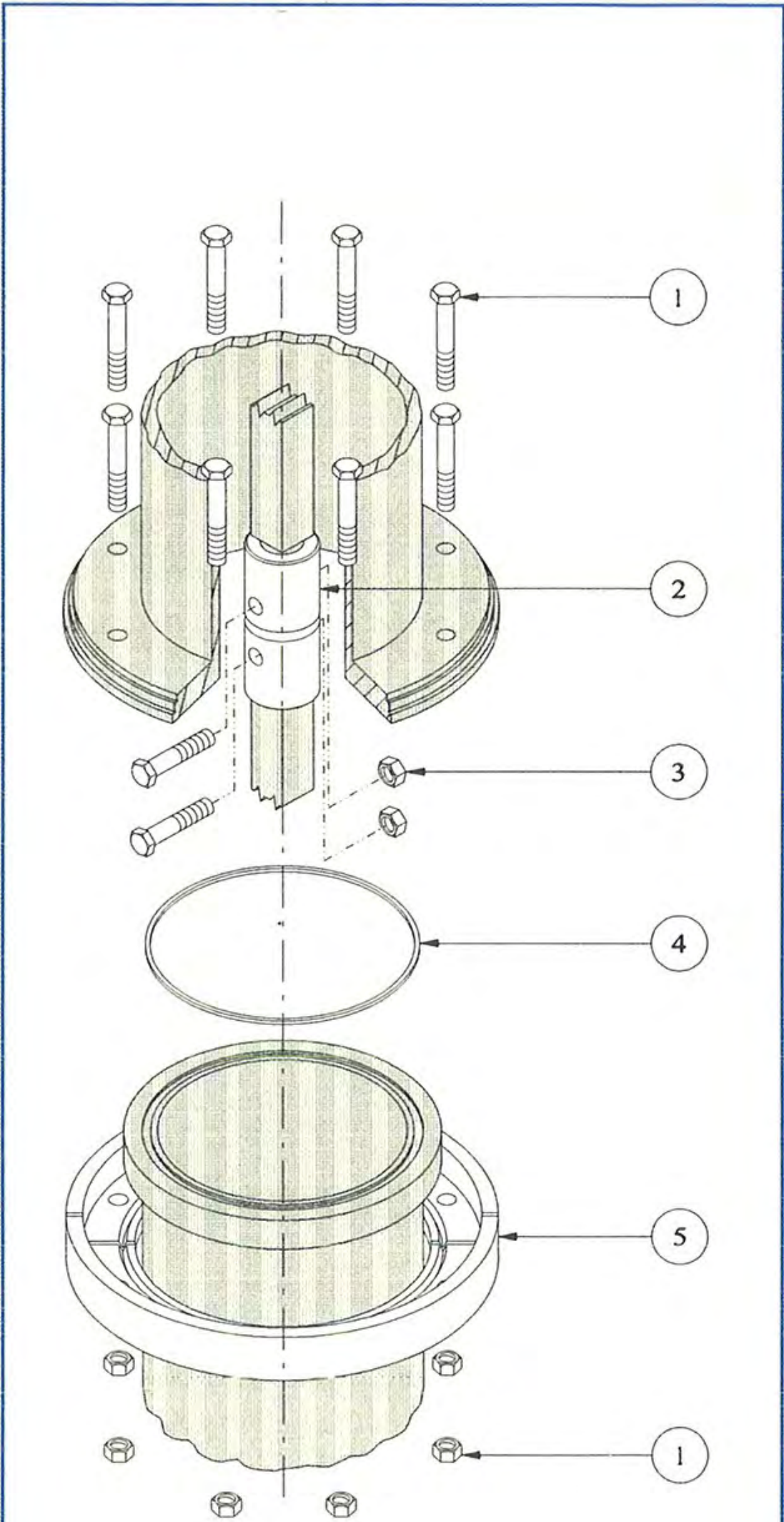
| ITEM NUMBER | DESCRIPTION | MATERIAL | QTY. |
|-------------|---------------------------------------|-------------------------|------|
| 1 | Bolt & Nut | Zinc-Plated Steel | 8 |
| 2 | Breakable Stem Coupling | Cast Iron | 1 |
| 3 | Coupling Bolt & Nut | Stainless Steel | 2 |
| 4 | Standpipe "O"-Ring | Lathe-Cut Buna-N Rubber | 1 |
| 5 | Standpipe Safety Flange (HALF CIRCLE) | Cast Iron | 2 |

SIZE: 4 7/8" or 5 1/4" Main Valve Opening

HRPI Products are engineered and manufactured using the latest computerized technology to ensure quality products with repeatable tolerances.

HRPI Guarantees this product to be compatible, and will operate with the fire hydrant when installed properly. The use of this product shall not affect any published warranties available to the buyer.

PRODUCTS MEET OR EXCEED THE AWWA C502 STANDARD FOR DRY-BARREL FIRE HYDRANTS.



36 Hudson Rd
Sudbury MA 01776  800-225-4616
www.tisales.com



FAX: (918) 224-6857

Hydrant Repair Parts, Inc.

7900 New Sapulpa Road, Tulsa, OK 74131 • (918) 224-8713

1-800-776-8713 or 1-800-548-9123

U.S. Pipe is a registered trademark of U.S. Pipe & Foundry Co., Birmingham, AL.
Hydrant Repair Parts, Inc., is not affiliated with U.S. Pipe & Foundry Co.