

AVK HYMAX GRIP® PRODUCT OFFERINGS

Ti SALES

36 Hudson Rd
Sudbury MA 01776



800-225-4616
www.tisales.com



EXPECT
INNOVATION



HYMAX GRIP®

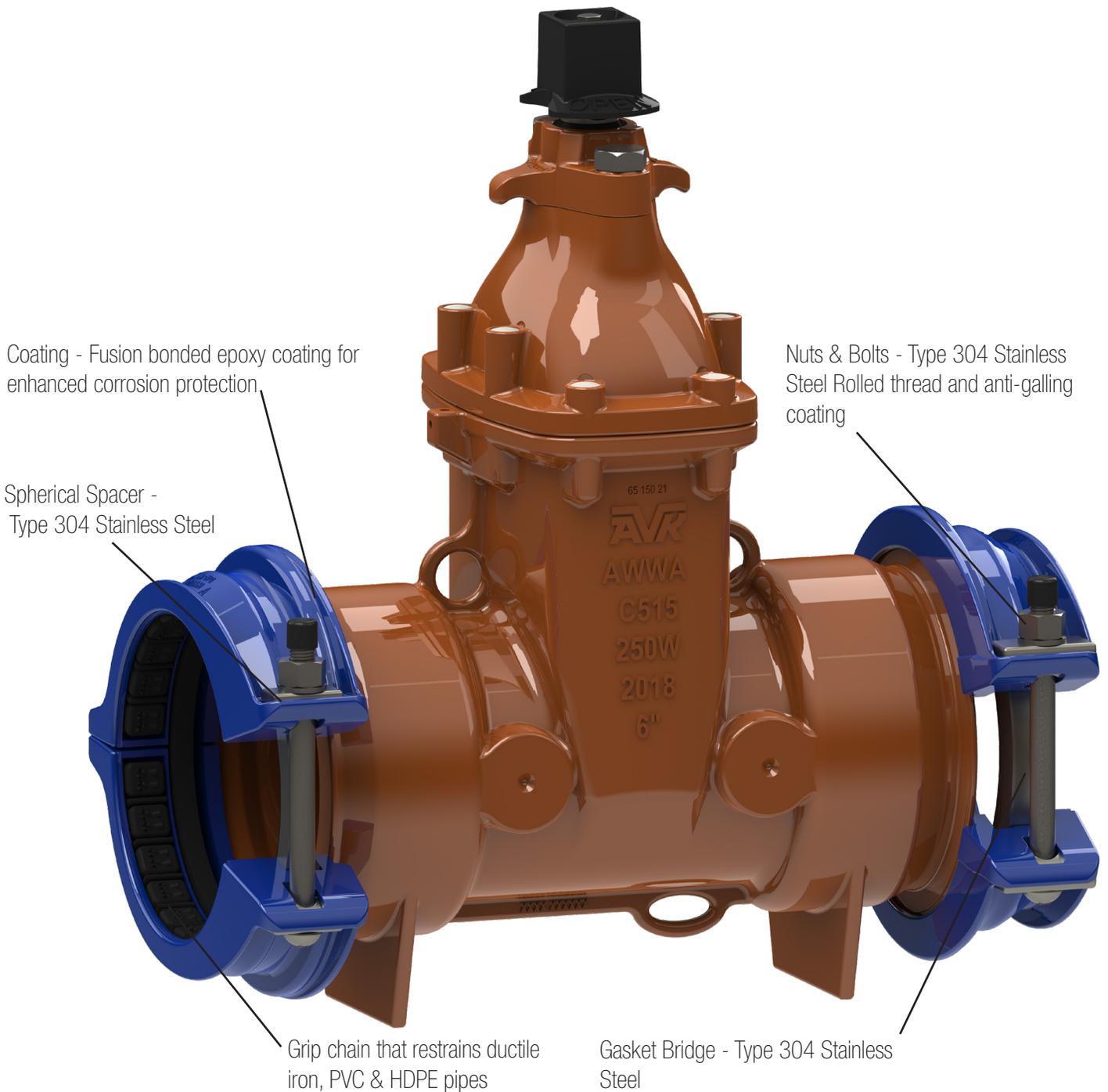
REPAIR THE PAST CONNECT THE FUTURE

There are many situations that require valves and hydrants with additional restraining power. AVK valves and hydrants joined with HYMAX GRIP® restraint products combine the patented technology of the HYMAX GRIP® coupling with AVK's top of the line gate valves and fire hydrants. Designed using HYMAX's innovation and patented technology, our flow control solutions work with ductile iron, PVC and HDPE pipes and are suitable for a wide variety of applications.

HYMAX GRIP® COUPLING FEATURES

- HYMAX GRIP® meets or exceeds all specifications of AWWA Standard C219, NSF-61 and NSF-372.
- End rings:
 - 2" - 3": Steel Casting ASTM A216 WCB.
 - 4" - 12": Ductile Iron Casting ASTM A536 grade 60-40-18.
- Bolts, Nuts and Washers: AISI 304 Stainless Steel impregnated with zinc via the MAG process.
- Gasket: EPDM and NBR available, both are compounded for water and sewage. Certified to NSF-61 and NSF-372 standards for contact with drinking water.
- Gasket bridge: AISI 304 Stainless Steel.
- Spherical spacers: AISI 304L Stainless Steel.
- Coating: Fusion bonded epoxy for enhanced corrosion protection NSF-61 and NSF-372. - Average thickness 14 mil.
- Working temperature: EPDM: -20°F UP TO +125°F, NBR: -4°F UP TO +125°F.
- Min. Pipe Insertion of 3.6".
- Dynamic deflection up to 4° per side.

COUPLER DETAILS



RESILIENT

SERIES 65

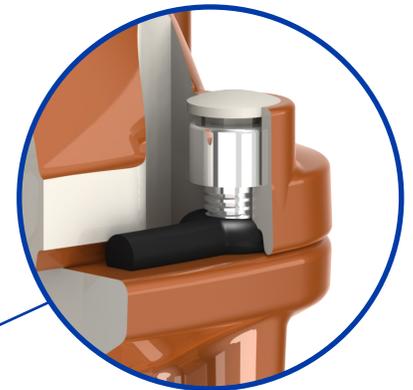
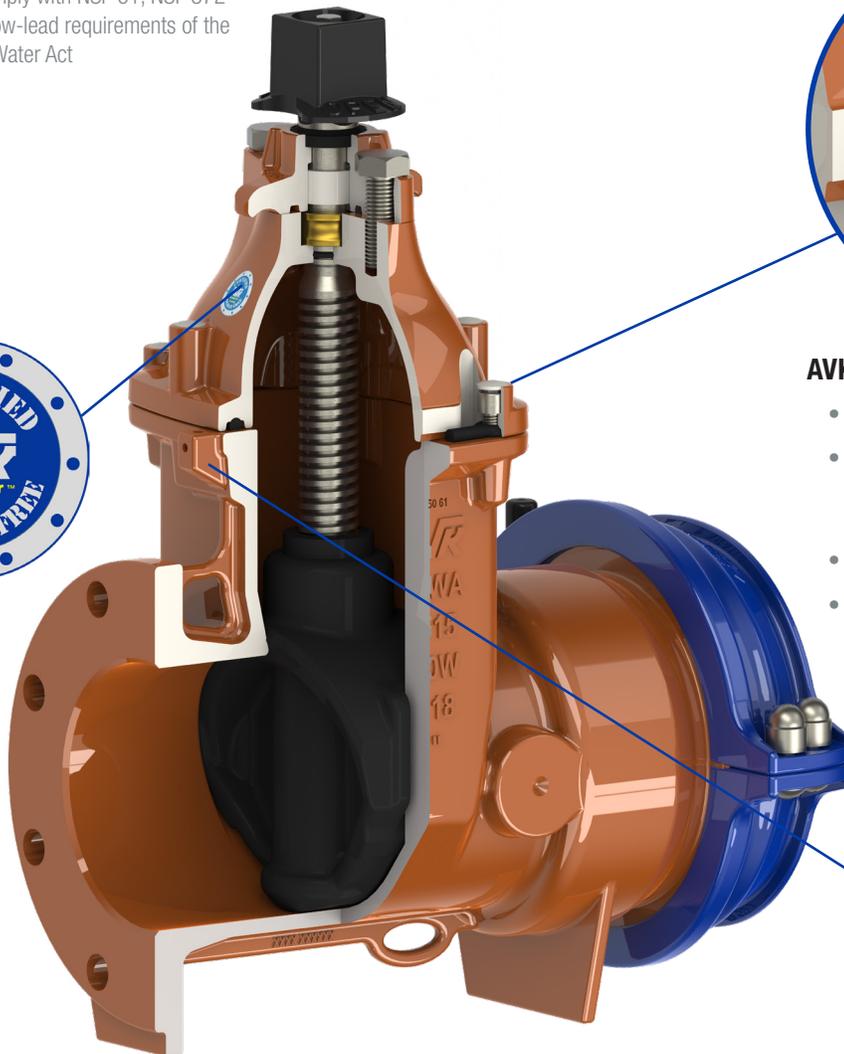
GATE VALVES

AWWA C515

SEATED

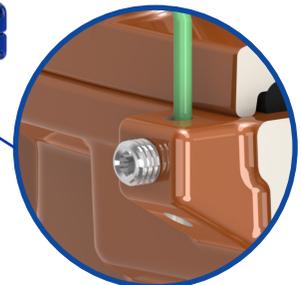
CERTIFIED HOLIDAY-FREE INTERIOR COATING

- AVK tests the internal coating on every Series 65 valve we manufacture, to provide "Holiday-Free" certification
- Electrostatically applied fusion bonded epoxy coating inside and outside for excellent corrosion resistance
- Certified to comply with NSF 61, NSF 372 and the new, low-lead requirements of the Safe Drinking Water Act



AVK BOLTING AND GASKET SYSTEM

- 304 stainless steel bolts
- Fully isolated and protected against corrosion – bonnet bolts never come in contact with water or soil
- Countersunk and capped with hot-melt
- Easily disassembled after years of service – but, you'll never need to...



AVK ANODE GROUNDING LUG

- Provides corrosion resistance in actively corrosive soil environments
- Available on Series 65 valves with MJ and Push-on pipe connections

SERIES 27 & 67 HYMAX GRIP® HYDRANTS

SERIES 27 DRY BARREL HYDRANT

- AVK dry barrel hydrants meet or exceed AWWA C502
- Modern or nostalgic styles available, with interchangeable internal parts
- Certified to NSF/ANSI 61, NSF/ANSI 372
- High pressure rating — 250 PSI
- High strength ductile iron nozzle section, barrel section, and base
- 5 ¼" valve opening for high flow rate
- Hydrant top repairable under pressure
- 360 degree nozzle section rotation
- Replaceable nozzles secured with external stainless steel lock screw
- Traffic flange designed for easy repair
- Stainless steel traffic coupling designed for longer operational life (resists elongation) and high corrosion resistance
- 360 degree, all bronze, drain channel; fast draining
- Hydrant base and nozzle section are epoxy lined and coated
- Hydrant drain ports easily plugged if required — may be plugged internally or externally
- Extensions available in lengths from 6" to 60"
- Stainless steel upper stem standard; lower stainless steel stem available
- Now with 6" HYMAX GRIP® base

SERIES 67 POST/FLUSHING HYDRANT (SINGLE OUTLET)

- Traffic repair and extension kits available
- 2 ¼" main valve opening
- Available in custom 2½" hose outlet sizes and thread configurations
- Now with 2" HYMAX GRIP® base



American AVK Company Locations

American AVK Company

2155 Meridian Blvd.
Minden, NV
89423
USA

Tel.: 775-552-1400
Fax.: 775-552-1031
sales@avkus.com
www.americanavk.com

F99016/04-30-2019
Copyright©AVK Group A/S 2019

Ti SALES

36 Hudson Rd
Sudbury MA 01776



800-225-4616
www.tisales.com

AVR