

AMERICAN AVK TELESCOPIC INDICATOR POST
To UL 789 - to ULC CEX 1393 - To FM class number 1110
Valve Sizes 4" - 16"



34/0X
TELESCOPIC INDICATOR POST

Use:
 Will fit any gate valve (4" - 16") with a post indicator mounting plate and a 2" square wrench nut

Optional Extras:
 Bolting Material Option a): Stainless Steel - 304
 Option b): Stainless Steel - 316

 Stem Lengths To various bury depths

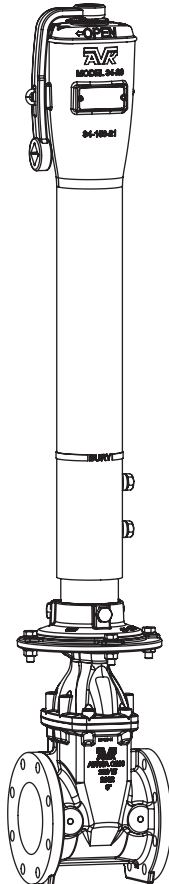
Approvals:

UL/ULC Listed, 4" - 16"
 FM Approved, 4" - 14"

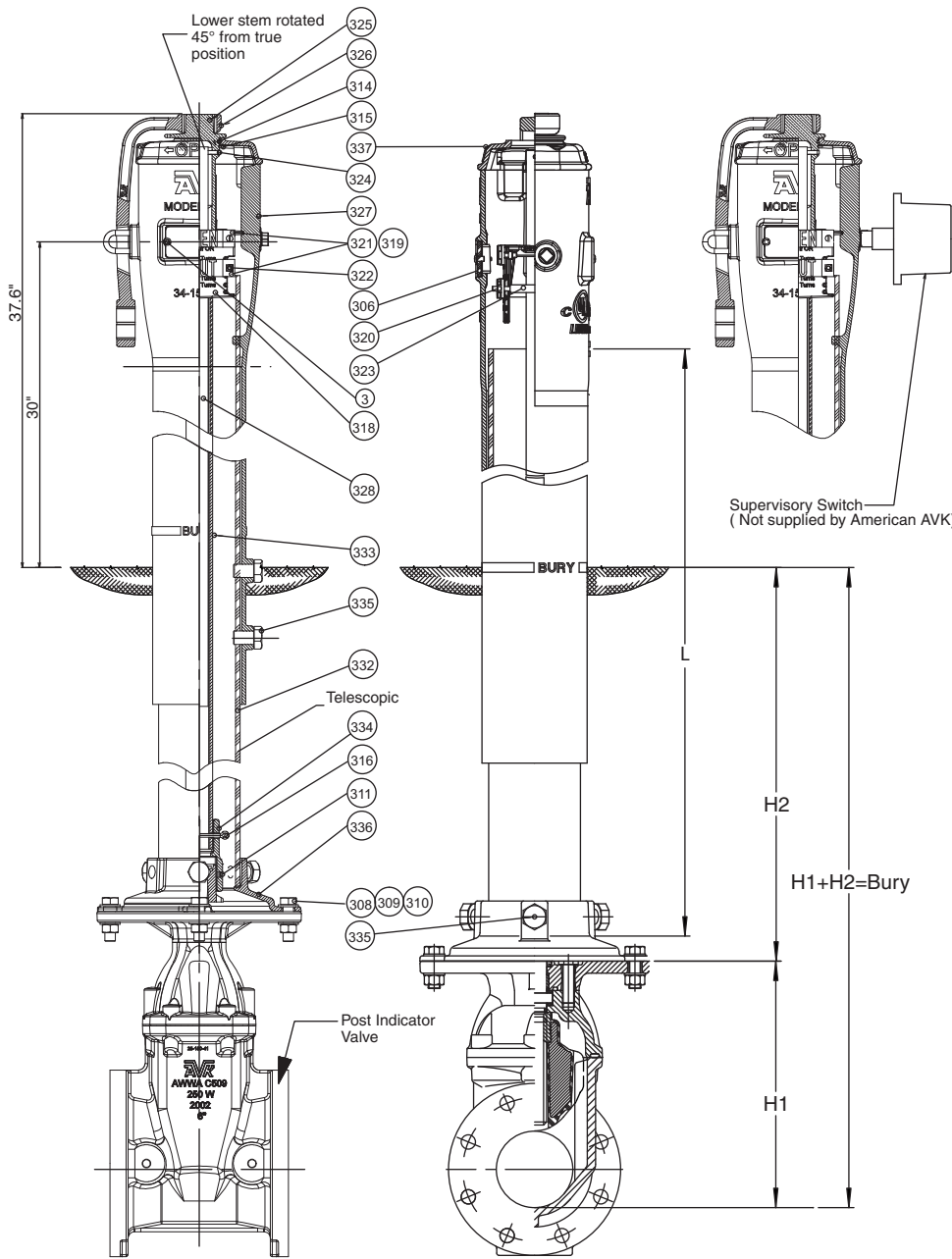
Standard Materials:

Wrench Nut Adaptor, Operating Wrench, Post Indicator Bell, Indicator Head, Bonnet	Ductile iron ASTM A536
Bolts, Nuts, Washers	Zinc coated steel
Set Screw, Tension Pin, Circlip Ring	Stainless steel
Upper, Lower Stem,	Cold drawn steel
Lower Barrel	PVC Pipe
Target, Operating Nut	Bronze
Target Sign	Aluminum (painted)
Window	Polycarbonate



AMERICAN AVK TELESCOPIC INDICATOR POST
 To UL 789 - to ULC CEX 1393 - To FM class number 1110
 Valve Sizes 4" - 16"

34/OX
TELESCOPIC INDICATOR POST



Component List:

- 216. Bonnet Bolts (Not shown)
- 3. Window Screw
- 306. Window
- 308. Flange Bolt
- 309. Flange Bolt Washer
- 310. Flange Bolt Nut
- 311. Wrench Nut Adapter Set Screw
- 314. Stem Nut O-Ring
- 315. Stem Nut Snap Ring
- 316. Cotter Pin
- 318. Target
- 319. Shut Plate
- 320. Plate Nut
- 321. Open Plate
- 322. Plate Attachment Screw
- 323. Target Spacer
- 324. Upper Stem Attachment Pin (3400)
- 325. Stem Nut (3400)
- 326. Operating Wrench
- 327. Telescopic Post Head/Barrel Sect.
- 328. Telescopic Post Upper Stem
- 332. Lower Barrel
- 333. Lower Stem
- 334. Wrench Nut Adaptor (3400)
- 335. Telescopic Post Attachment Bolt
- 336. Bell Adapter
- 337. Bonnet

Valve Size	H1	34-150-0000 H1+H2		34-150-0001 H1+H2		34-150-0002 H1+H2	
		Min Bury	Max Bury	Min Bury	Max Bury	Min Bury	Max Bury
4"	13"	33"	56"	55"	78"	77"	100"
6"	18"	38"	61"	60"	83"	82"	105"
8"	23"	43"	66"	65"	88"	87"	110"
10"	27"	47"	70"	69"	92"	91"	114"
12"	31"	51"	74"	73"	96"	95"	118"
14"	39"	59"	82"	81"	104"	103"	126"
16"	42"	62"	85"	84"	107"	106"	129"

PI #	H2	
	Min Depth	Max Depth
34-150-0000	20"	43"
34-150-0001	42"	65"
34-150-0002	64"	87"



36 Hudson Rd
 Sudbury MA 01776



800-225-4616
 www.tisales.com