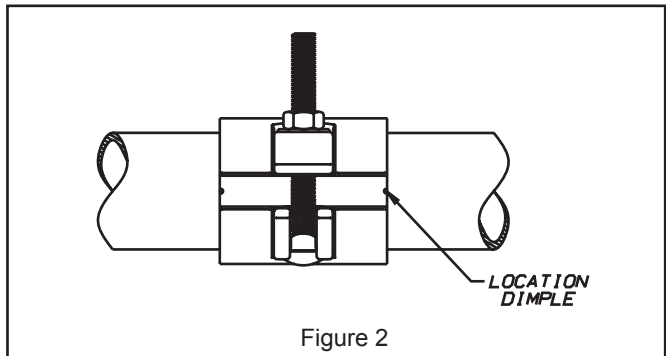
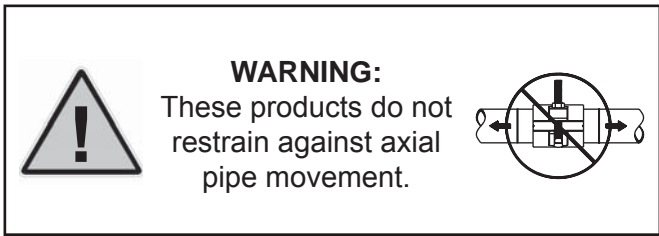
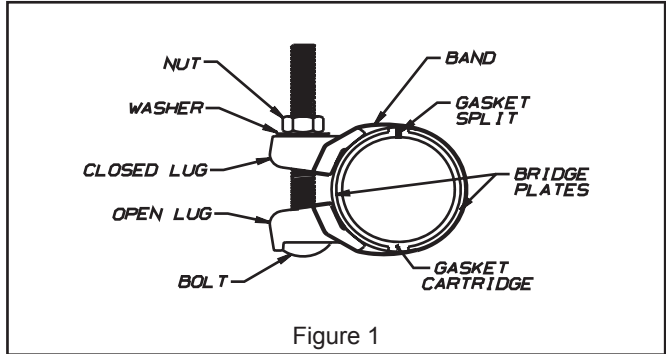




Installation Instructions
Type 244 and 247 Full Circle® Repair Clamps
Type 245, 246 and 248 Redi-Clamps



Step 1

Clean pipe thoroughly, particularly in the area where the gasket will seat.

Step 2

Lubricate the pipe and the face of the gasket with a suitable solution.

Step 3

Back off nut, disengage bolt head from lug and open clamp enough to install the band assembly on the pipe.

Step 4

Remove the gasket cartridge from the band assembly, open at split and snap around pipe. Center gasket over leak. Gasket split should be 180 from damage.

Step 5

Center bridge plate as shown in Figure 2 by rotating band assembly so the location dimples are centered between the open and closed lugs. Engage bolt head in open lug.

Step 6

Tighten the nut sufficiently to stop leak.

WARNING:
**DO NOT EXCEED THE FOLLOWING
 MAXIMUM NUT TORQUES:**

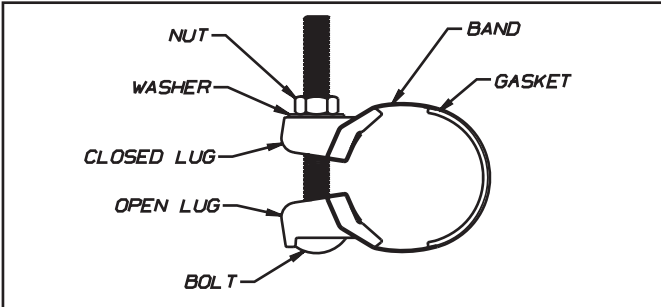
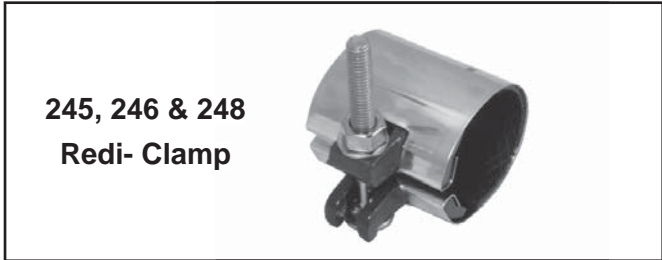
- 3/8" Bolt - 25 ft. lbs.
- 7/16" Bolt - 30 ft. lbs.

Note

When used to repair or connect separated pipes, the 244 clamp can act as an insulator. Where conductivity is required in installations (such as electrically grounded power or corrosion protected systems), a jumper wire may have to be installed, connecting the two pipes together. When a jumper is required, it should be installed meeting all applicable electrical codes.



Installation Instructions
Type 244 and 247 Full Circle® Repair Clamps
Type 245, 246 and 248 Redi-Clamps



245, 246 & 248
Redi- Clamp

Step 1

Clean pipe thoroughly, particularly in the area where the gasket will seat.

Step 2

Lubricate the pipe and the face of the gasket with a suitable solution.

Step 3

Back-off nut, disengage bolt head from lug and open clamp enough to install on pipe.

Step 4

Install on pipe and engage bolt head in open lug.

Step 5

Center gasket over leak.

Step 6

Tighten nut sufficiently to stop leak.

WARNING:
DO NOT EXCEED THE FOLLOWING
MAXIMUM NUT TORQUES:

- 3/8" Bolt - 25 ft. lbs.
- 7/16" Bolt - 30 ft. lbs.

Step 7

On clamps having more than one bolt, tighten uniformly and progressively.

WARRANTY

Smith-Blair® warrants its products only against defects in materials and workmanship. Smith-Blair®'s liability and customer's exclusive remedy under this warranty or any warranty extends for a period of one (1) year from the date of Smith-Blair®'s ship date and is expressly limited to repayment of the purchase price, repair, or replacement, at Smith-Blair®'s option, during said period, upon proof satisfactory to Smith-Blair® and upon customer's returning and prepaying all charges on such products to factory or warehouse designated by Smith-Blair®.

This warranty is made expressly in lieu of all other warranties, expressed, implied or statutory, with respect to quality, merchantability or fitness for a particular purpose.

10/11

WARNING

Metal products are subject to corrosion, particularly when used outdoors and/or underground. A large number of factors and local conditions affect the rate of corrosion. Consult a local corrosion expert to determine the life expectancy of this product when used with your pipeline content, soil, and environment. Also, consult your system designer to determine the suitability of this product in your piping system. Failure to determine the suitability of this product in your application, soil, and/or environment can result in premature product failure. Smith-Blair®, Inc. will provide additional information about this product's material specifications at your request. You may also obtain product information at www.smith-blair.com.

10/11

