

# WE ARE SIMPLIFYING TUBE REPLACEMENT

with our new and improved A4 and M4 roller assemblies.



**DATE EFFECTIVE: April 27, 2021**

NEW modular roller assemblies are shipping with A4 and M4 pumps!

- ✓ **No change in ordering**
- ✓ **No change to flow rates**
- ✓ **Seamlessly replaces “old” style**

## Benefits include:

### Lower cost of ownership



Rollers can be replaced individually, eliminating the need to purchase an entire roller assembly.

### Ease of maintenance



New roller assembly design allows for safer and easier tube replacement, without the need for a tube installation tool.

### Enhanced flexibility



Switch to different tube assemblies without the need for changing the roller assembly.

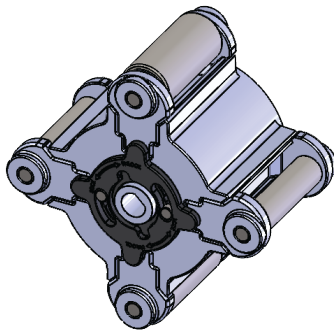
**Old vs. New Roller Assembly**



Old Roller Assembly

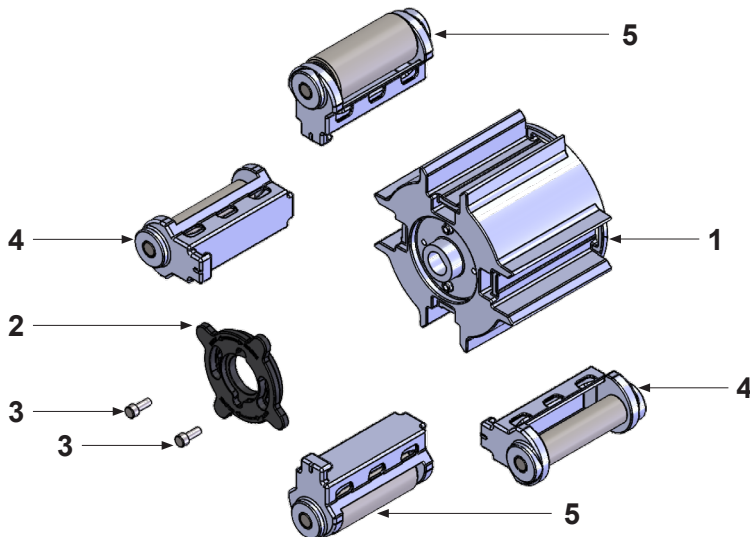
New Roller Assembly

**Catalog Numbers**



No.	Tube Compatibility	Catalog No.
1	NL / NP	A4-MNL-R
2	TH / TK / TKL / THH	A4-MTH-R
3	NH / NK / NJ / NHH / NHL / NHHL	A4-MNH-R
4	NKL / NKKL	A4-MNKL-R
5	GH / GK / GKK	A4-MGH-R

**Component Part Numbers**



Item No.	Part No.	Description	QTY.
1	90002-716	A4 ROTOR BODY	1
2	76002-038	SPIDER RING	1
3	90011-267	10-32 CAPTIVE SCREW	2
4	71010-771	ARM ROLLER GUIDE ASSY	2
5	71010-766	ARM ROLLER A4 NL/NP ASSY	2
6	71010-767	ARM ROLLER A4 TH/TK/TKL/THH ASSY	2
7	71010-768	ARM ROLLER A4 NH/NK/NJ/NHH/NHL/NHHL ASSY	2
8	71010-769	ARM ROLLER A4 NKL/ NKKL ASSY	2
9	71010-770	ARM ROLLER A4 GH/GK/GKK ASSY	2