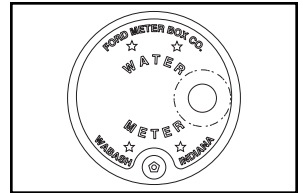


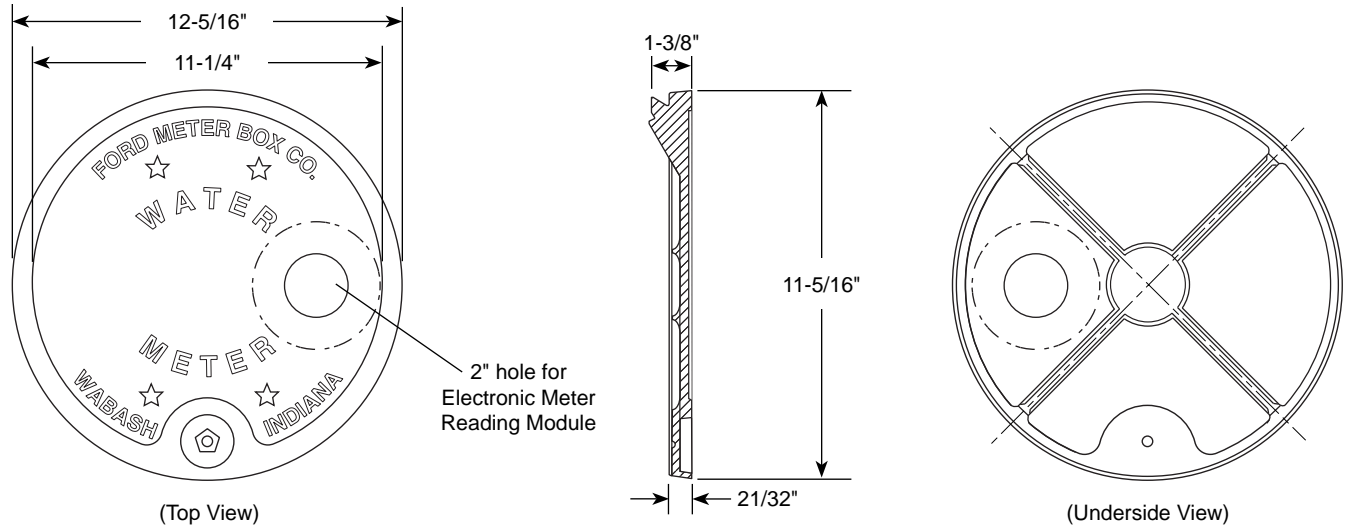
SUBMITTAL INFORMATION

Iron Lid for Iron Frame - (WA3L-T style)



11-1/2" IRON TOP LID ONLY - LOCKING

FOR WABASH OR TYPE "A" IRON COVERS



* LID SIZE	APPROX. WT. LBS.	CATALOG NUMBER	✓ SUBMITTED ITEMS
11-1/2"	10.0	WA3L-T	

* Lid Size indicates approximate pit access opening.

FEATURES

- Lid has a precast hole for an electronic meter reading module
- Locking lid is cast iron per ASTM A48, Class 25
- Finish is black e-coating
- Lockless Lid is available, add "-LL" to catalog number. Example: WA3L-LL-T

The Ford Meter Box Company considers the information in this submittal form to be correct at the time of publication. Item and option availability, including specifications, are subject to change without notice. Please verify that your product information is current.



The Ford Meter Box Company, Inc.

P.O. Box 443, Wabash, Indiana U.S.A. 46992-0443

Phone: 260-563-3171 / Fax: 800-826-3487

Overseas Fax: 260-563-0167

<http://www.fordmeterbox.com>

09/19/11



36 Hudson Rd
Sudbury MA 01776



800-225-4616
www.tisales.com