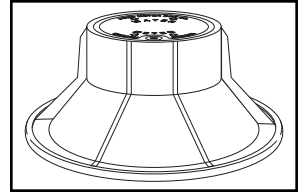


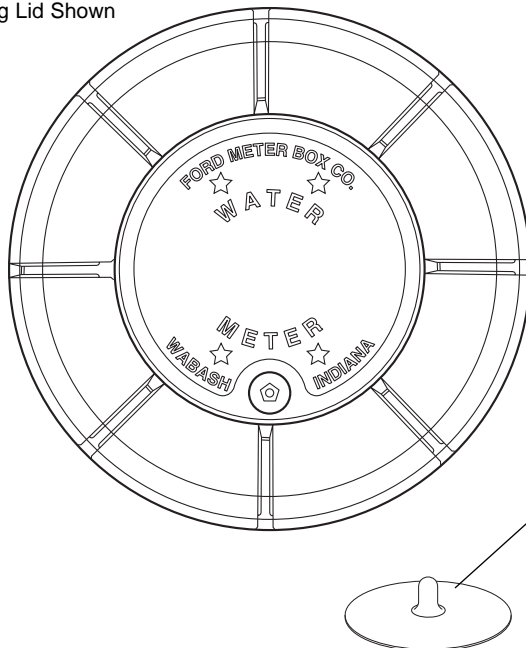
SUBMITTAL INFORMATION

Meter Box Covers - (W3H style)

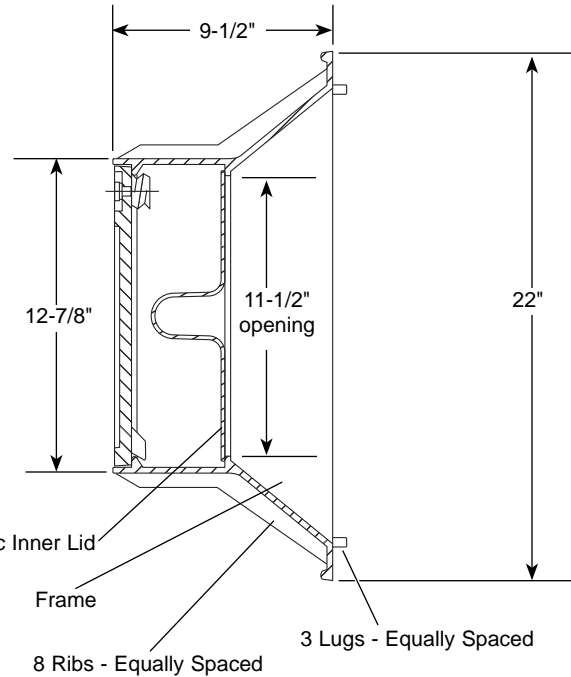


EXTRA HEAVY 11-1/2" WABASH DOUBLE INSET LID FOR 20" TILE

Locking Lid Shown



Plastic Inner Lid



*LID SIZE	TILE I.D.	APPROX. WT. LBS.	DESCRIPTION	CATALOG NUMBER	✓ SUBMITTED ITEM(S)
11-1/2"	20"	75	Cover with Double Inset Locking Lid	W3H	

*Lid size indicates approximate pit access opening; actual lid diameter is approximately 1" larger.

FEATURES

- Frame and lid are cast iron per ASTM A48, Class 25
- Standard Pentagon Bolt furnished with locking lids
Larger bolt is available. Add "-LB" to catalog number
- Plastic inner lid is standard - aluminum is optional
- Finish is black e-coating
- Available with precast holes for electronic meter reading modules
Add to catalog number: "-T" for single hole, "-TT" for double hole

The Ford Meter Box Company considers the information in this submittal form to be correct at the time of publication. Item and option availability, including specifications, are subject to change without notice. Please verify that your product information is current.



The Ford Meter Box Company, Inc.

P.O. Box 443, Wabash, Indiana U.S.A. 46992-0443

Phone: 260-563-3171 / Fax: 800-826-3487

Overseas Fax: 260-563-0167

<http://www.fordmeterbox.com>

04/04/11

Ti SALES

36 Hudson Rd
Sudbury MA 01776



800-225-4616
www.tisales.com