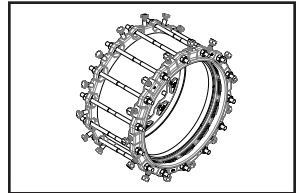
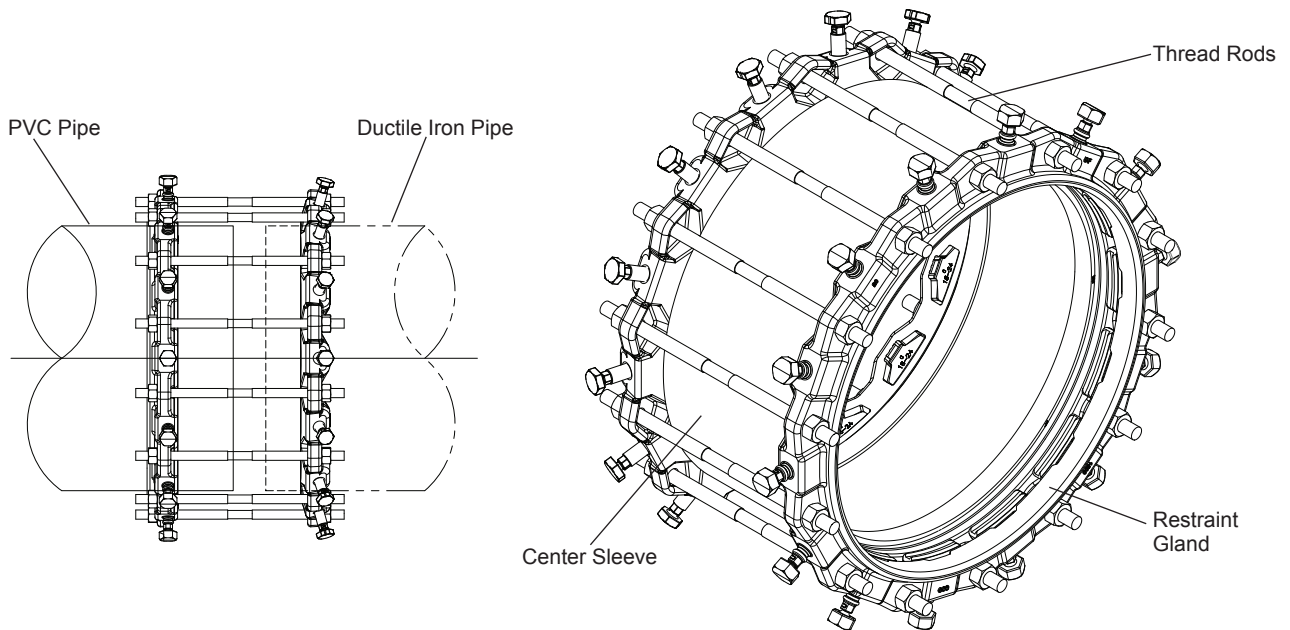


# SUBMITTAL INFORMATION

Restrained Coupling for Ductile Iron & PVC Pipe - (RCDP-xx-I style)



14" - 36" RESTRAINED COUPLING FOR JOINING DUCTILE IRON PIPE TO AWWA C905 PVC PIPE



NOMINAL PIPE SIZE	PIPE O.D. RANGE (INCHES)	SLEEVE LENGTH	DEGREES DEFLECTION	NO. OF RODS	SIZE OF RODS	APPROX. WT. LBS	PART NUMBER	✓ SUBMITTED ITEM(S)
14"	15.30	10"	3°	10	3/4 x 17	180	RCDP-14-I	
16"	17.40	10"	3°	12	3/4 x 17	210	RCDP-16-I	
18"	19.50	10"	3°	12	3/4 x 17	250	RCDP-18-I	
20"	21.60	10"	3°	14	3/4 x 17	285	RCDP-20-I	
24"	25.80	10"	3°	16	3/4 x 17	360	RCDP-24-I	
30"	32.00	10"	1°	20	1 x 20	550	RCDP-30-I	
36"	38.30	10"	1°	24	1 x 20	650	RCDP-36-I	

## FEATURES

- Center Sleeve: Carbon steel per ASTM A36, black enamel shop coat
- Ductile Iron Restraint Gland: Ductile iron per ASTM A536, Grade 65-45-12, black e-coat epoxy
- PVC Restraint Gland End: Ductile iron per ASTM A536, e-coat epoxy with red top coat
- Double End Rod & Nuts: High strength, low alloy steel per ASTM A242 and AWWA C111
- Gaskets: SBR Rubber per ASTM D2000
- Rated for the same pipe on which is it installed with a 2:1 safety factor
- Fabricated sleeve and imported ductile iron restraint castings
- Complies with AWWA C219
- Assembled, inspected, and packaged in the U.S.A.

The Ford Meter Box Company considers the information in this submittal form to be correct at the time of publication. Item and option availability, including specifications, are subject to change without notice. Please verify that your product information is current.



**The Ford Meter Box Company, Inc.**

P.O. Box 443, Wabash, Indiana U.S.A. 46992-0443

Phone: 260-563-3171 / Fax: 800-826-3487

Overseas Fax: 260-563-0167

www.fordmeterbox.com

04/18/16

Submitted By:

**Ti SALES**

36 Hudson Rd  
Sudbury MA 01776



800-225-4616  
www.tisales.com