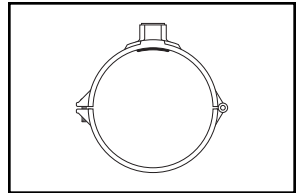
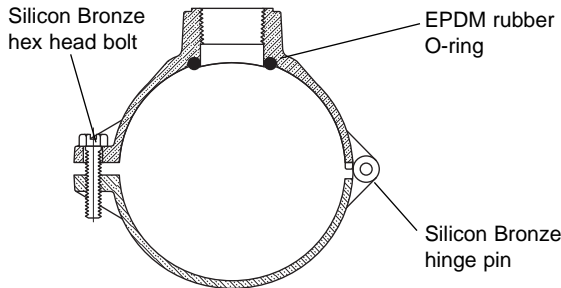


SUBMITTAL INFORMATION

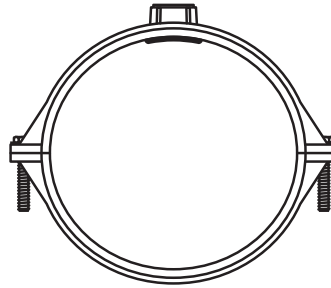
Brass Saddles For C900 PVC - (S91-xxx style)



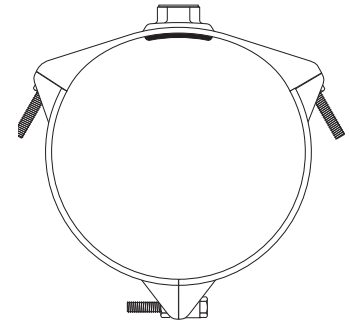
S91 BRASS SADDLES WITH IRON PIPE TAPS FOR C900 PVC PIPE



Style A (Hinged Design)



Style B 2-Piece (Bolted Design)



Style C 3-Piece (Bolted Design)

PVC PIPE SIZE	ACTUAL O.D.	TAP SIZE	APPROX. WT. LBS.	CATALOG NUMBER	STYLE	✓ SUBMITTED ITEM(S)
2"	2.50	1/2"	.9	S91-201	A	
		3/4"	1.1	S91-203	A	
4"	4.80	1/2"	1.8	S91-401	A	
		3/4"	1.8	S91-403	A	
		1"	2.0	S91-404	A	
		1-1/2"	6.5	S91-406	A	
		2"	6.4	S91-407	A	
		3/4"	2.6	S91-603	A	
6"	6.90	1"	2.6	S91-604	A	
		1-1/2"	8.9	S91-606	A	
		2"	7.3	S91-607	A	
8"	9.05	1/2"	2.8	S91-801	A	
		3/4"	2.8	S91-803	A	
		1"	3.2	S91-804	A	
		1-1/2"	8.0	S91-806	A	
		2"	8.5	S91-807	A	
10"	11.10	3/4"	9.3	S91-1003	B	
		1"	9.1	S91-1004	B	
		1-1/2"	10.5	*S71-S91-1006	C	
		2"	10.5	*S71-S91-1007	C	
12"	13.20	3/4"	11.1	S91-1203	B	
		1"	11.0	S91-1204	B	
		1-1/2"	11.5	*S71-S91-1206	C	
		2"	11.0	*S71-S91-1207	C	

* These saddles will cover Steel size PVC and C900 PVC O.D. range.

FEATURES

- All brass conforms to AWWA Standard C800 (ASTM B62 and ASTM B584, UNS NO C83600 - 85-5-5-5)
- Style A Saddle body and strap permanently held together with silicon bronze pin for saddles sized 2" thru 8"
- Bolt is 5/16" slotted hex head silicon bronze for saddles sized 2" thru 8"
- A three-piece bolted design is used for S91 Saddles sized 10" and 12" with 1-1/2" and 2" taps, two-piece for 3/4" and 1" taps
- All 10" and 12" saddles are held together with 1/2" silicon bronze bolts (3/4" hex head)
- 150 psi working pressure rating

The Ford Meter Box Company considers the information in this submittal form to be correct at the time of publication. Item and option availability, including specifications, are subject to change without notice. Please verify that your product information is current.



The Ford Meter Box Company, Inc.
 P.O. Box 443, Wabash, Indiana U.S.A. 46992-0443
 Phone: 260-563-3171 / Fax: 800-826-3487
 Overseas Fax: 260-563-0167
 www.fordmeterbox.com

01/12/16

Submitted By:



36 Hudson Rd
 Sudbury MA 01776



800-225-4616
 www.tisales.com