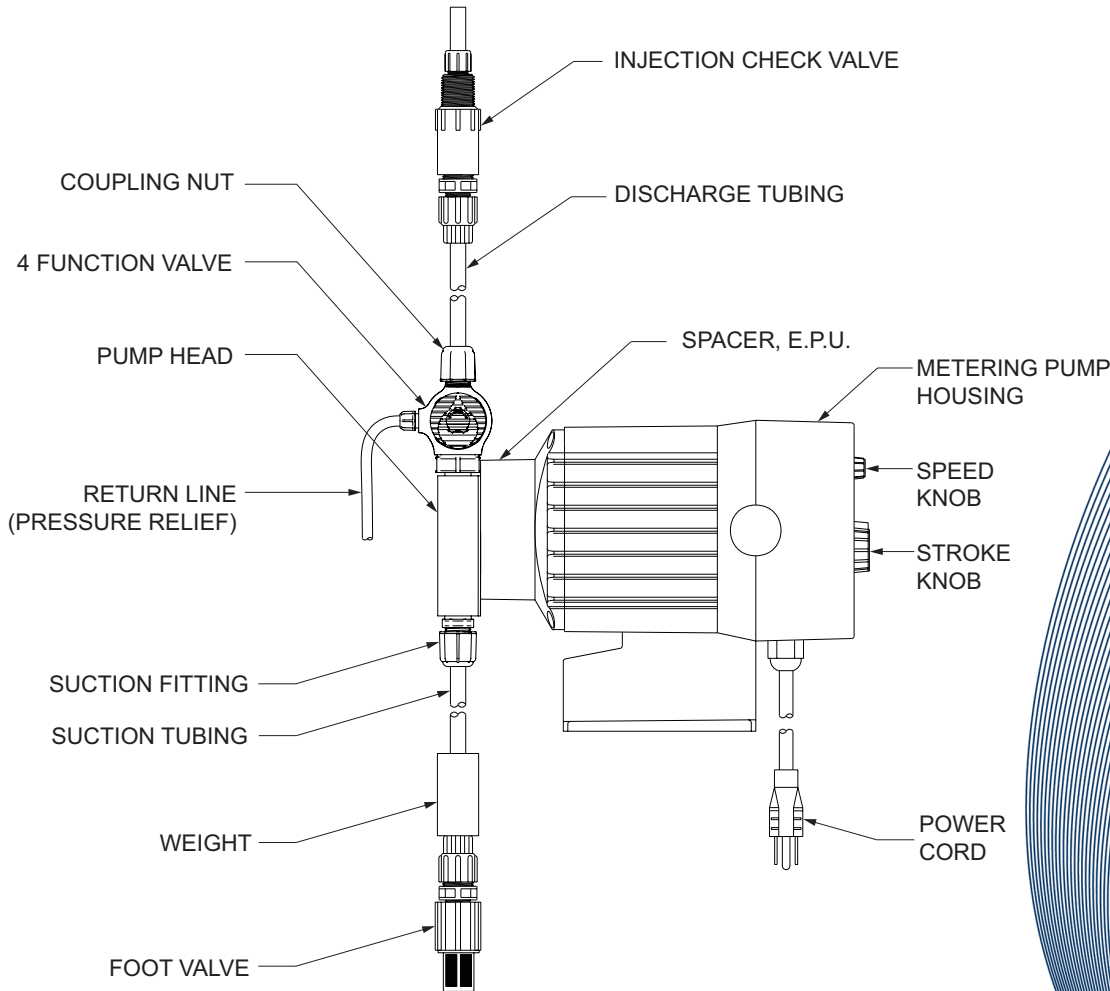




**LMI**<sup>®</sup>

*an Accudyne Industries brand*



**Metering Pump Component Diagram**

# **Series C1 Electronic Metering Pump Instruction Supplement**

**Manual No : 1829**

**Rev. : D**

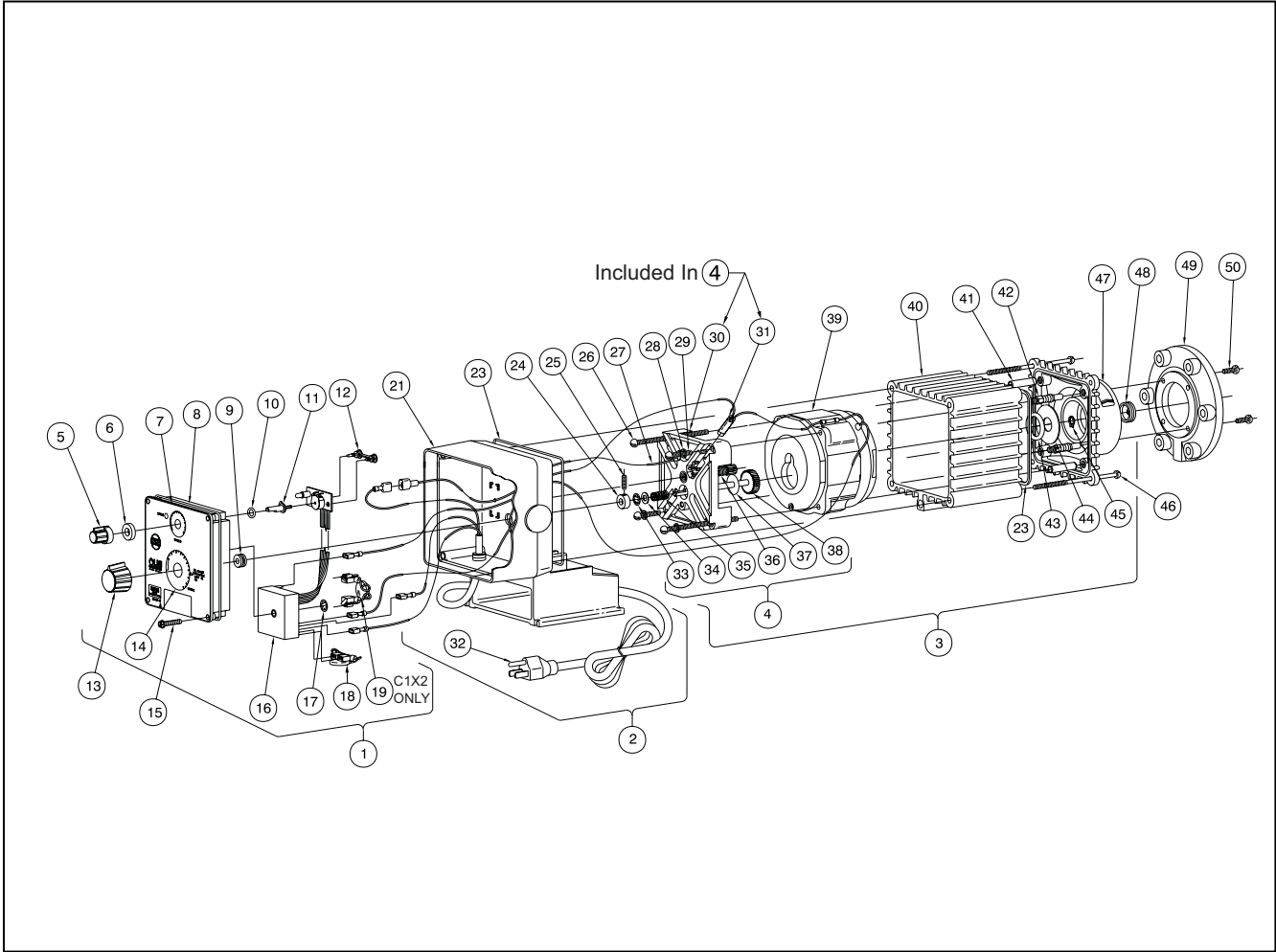
**Rev. Date : 10/2015**



**LMI**<sup>®</sup>

*an Accudyne Industries brand*

# SERIES C1 DRIVE ASSEMBLY EXPLODED VIEW DIAGRAM



# SERIES C1 DRIVE ASSEMBLY PARTS LIST

Key Number	Model Series	Part Number	Description	Qty
1	C101, C111	36237	Control Panel Assembly, 115V	1
	C102, C112	36238	Control Panel Assembly, 230V US	1
	C103, C105, C106, C107, C113, C115, C116, C117	36239	Control Panel Assembly, 230-250V	1
	C121	36240	Control Panel Assembly, 115V	1
	C122	36241	Control Panel Assembly, 230V US	1
	C123, C125, C126, C127	36242	Control Panel Assembly 230-250V	1
	C131	36243	Control Panel Assembly, 115V	1
	C132	36244	Control Panel Assembly, 230V US	1
	C133, C135, C136, C137	36245	Control Panel Assembly, 230-250V	1
	C141	36246	Control Panel Assembly, 115V	1
	C142	36247	Control Panel Assembly, 230V US	1
	C143, C145, C146, C147	36248	Control Panel Assembly, 230-250V	1
2	C101, C111, C121, C131, C141	32407	Housing Assembly, 115V	1
	C102, C112, C122, C132, C142	32408	Housing Assembly, 230V US	1
	C103, C113, C123, C133, C143	32409	Housing Assembly, 230V DIN	1
	C105, C115, C125, C135, C145	32410	Housing Assembly, 240V UK	1
	C106, C116, C126, C136, C146	32411	Housing Assembly, 250V AUST	1
	C107, C117, C127, C137, C147	32412	Housing Assembly, 230V SWISS	1
3	C101	32532	EPU & Spacer w/Stroke Adj., 115V, 0.9SI	1
	C102, C103, C105, C106, C107	32533	EPU & Spacer w/Stroke Adj., 230V, 0.9SI	1
	C111, C121	32534	EPU & Spacer w/Stroke Adj., 115V, 1.8SI	1
	C112, C113, C115, C116, C117, C122, C123, C125, C126, C127	32535	EPU & Spacer w/Stroke Adj., 230V, 1.8SI	1
	C131, C141	32536	EPU & Spacer w/Stroke Adj., 115V, 3.0SI	1
	C132, C133, C135, C136, C137, C142, C143, C145, C146, C147	32537	EPU & Spacer w/Stroke Adj., 230V, 3.0SI	1
4	C1	32251	Stroke Bracket Assembly	1
5	C1	30709	Speed Knob	1
6	C1	30803	Gasket	1
7	C1	36256	Panel with Nameplate	1
8	C1	10166	O-Ring	1
9	C1	10465	Grommet	1
10	C1	34497	O-Ring	1
11	C1	35743	Speed Shaft	1
12	C1	35744	Dual Pin	1
13	C1	31891	Stroke Knob Assembly	1

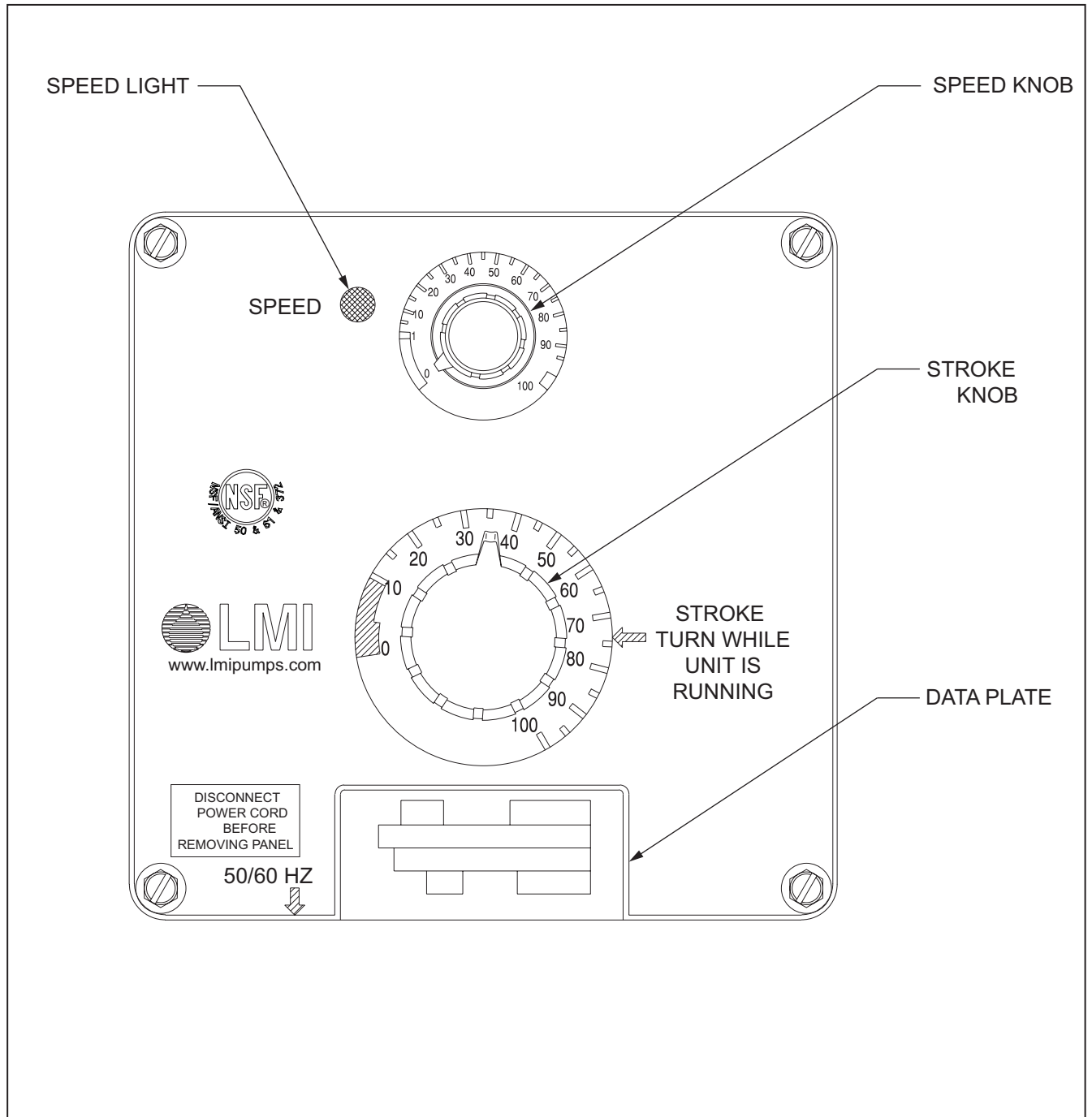
## SERIES C1 DRIVE ASSEMBLY PARTS LIST

Key Number	Model Series	Part Number	Description	Qty
14	C10, C11	32465	Stroke dial	1
	C12	32466	Stroke dial	1
	C13	32467	Stroke dial	1
	C14	32468	Stroke dial	1
15	C1	30306	Screw	4
16	C1	36255	Pulser	1
17	C1	10422	Retaining Ring	1
18	C101, C111, C121, C131, C141	10626	Varistor Assembly, 115V	1
	C102, C112, C122, C132, C142, C103, C113, C123, C133, C143, C105, C115, C125, C135, C145, C106, C116, C126, C136, C146, C107, C117, C127, C137, C147	10627	Varistor Assembly, 230-250V	1
19	C102, C112, C122, C132, C142	25268	Varistor Assembly, 230V US	1
21	C1	35398	Housing	1
23	C1	35269	O-Ring	2
24	C1	25424	Collar	1
25	C1	25423	Set Screw	1
26	C1	27552	Screw, 10-24x4.0	2
27	C1	27693	Ground Wire Assembly	1
28	C1	10415	Washer, Conical	4
29	C1	27551	Screw, 10-24X 1.25	2
30	C1	12064	Bracket (Without mating parts)	1
31	C1	27501	Thermostat	1
32	C101, C111, C121, C131, C141	26293	Power Cord Assembly, 115V	1
	C102, C112, C122, C132, C142	26296	Power Cord Assembly, 230V US	1
	C103, C113, C123, C133, C143	26297	Power Cord Assembly, 230V DIN	1
	C105, C115, C125, C135, C145	26817	Power Cord Assembly, 240V UK	1
	C106, C116, C126, C136, C146	26818	Power Cord Assembly, 250V AUST	1
	C107, C117, C127, C137, C147	27701	Power Cord Assembly, 230V SWISS	1
33	C1	10462	Retaining Ring	1
34	C1	32302	Washer	1
35	C1	32221	Spring	1
36	C1	32578	Pinion	1
37	C1	25121	Gasket	1
38	C1	31770	Shaft Assembly	1

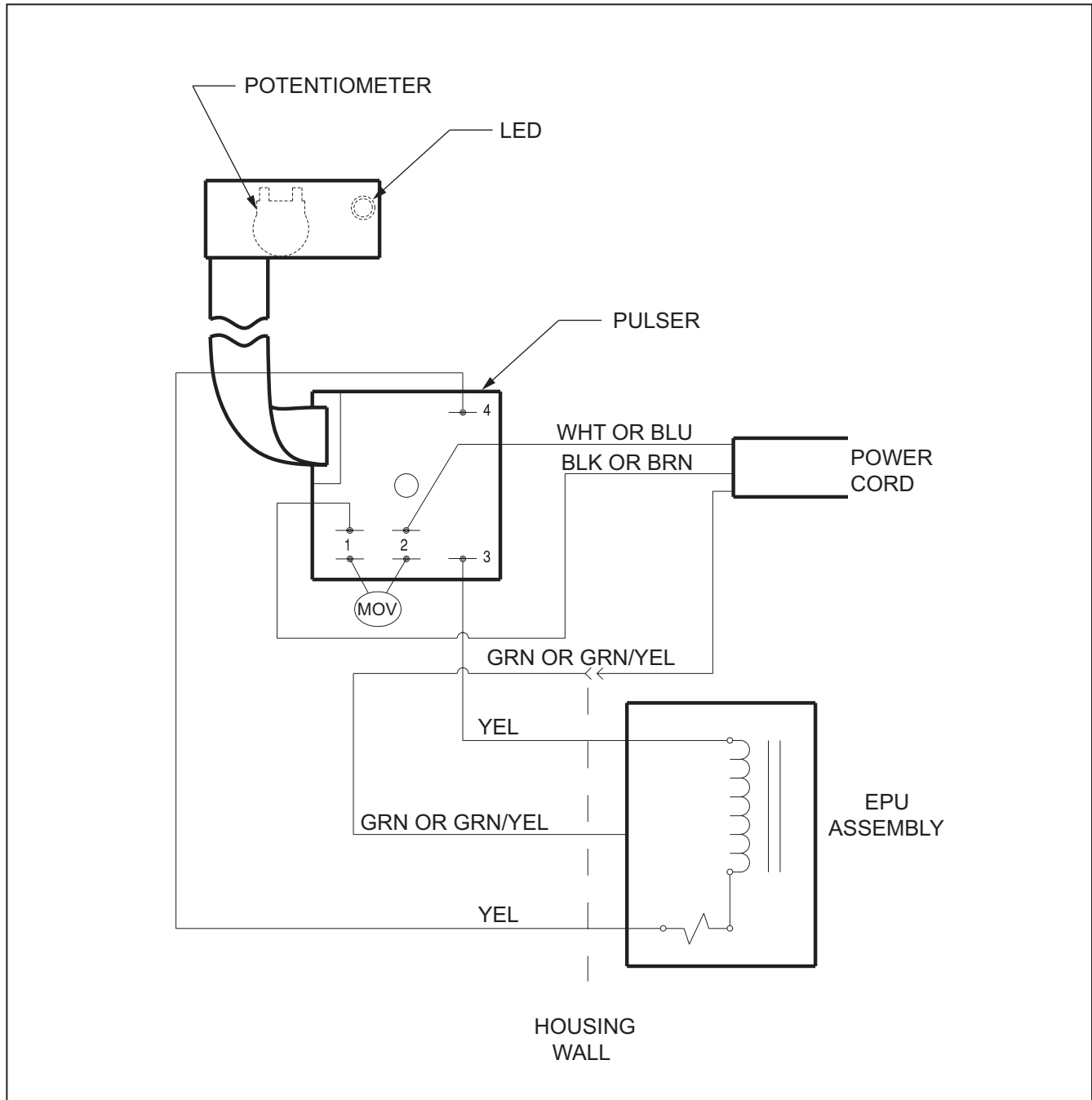
## SERIES C1 DRIVE ASSEMBLY PARTS LIST

Key Number	Model Series	Part Number	Description	Qty
39	C111, C121, C131, C141	38390	EPU Assembly, 115V (38390 - C101)	1
	C112, C122, C132, C142, C113, C123, C133, C143, C115, C125, C135, C145, C116, C126, C136, C146, C117, C127, C137, C147	32159	EPU Assembly, 230V (38391 - C10X)	1
40	C1	25068	EPU Sleeve	1
41	C1	27187	Spacing Stud	2
42	C11, C12	27641	Stud Assembly (37963 - C10)	4
	C13, C14	27641-1	Stud Assembly	4
43	C1	26983	O-Ring	1
44	C1	27586	Shim	1
45	C1	27253	Retaining Ring	1
46	C1	25127	Screw, 10-24 X 4.5 SS	4
47	C10	38303	Spacer, 0.9 SI	1
	C11, C12	35394	Spacer, 1.8 SI	1
	C13, C14	35395	Spacer, 3.0 SI	1
48	C1	10973	Seal	1
49	C14	38856	Adapter, 6.0	1
50	C14	10598	Screw, 10-24 X 0.62	4

# SERIES C1 CONTROL PANEL DETAIL



# SERIES C1 WIRING DIAGRAM



*We are a proud member of Accudyne Industries, a leading global provider of precision-engineered, process-critical, and technologically advanced flow control systems and industrial compressors. Delivering consistently high levels of performance, we enable customers in the most important industries and harshest environments around the world to accomplish their missions.*



36 Hudson Rd  
Sudbury MA 01776



800-225-4616  
[www.tisales.com](http://www.tisales.com)

LMI® is a registered trademark of Milton Roy, LLC.  
© 1998, 2015 Milton Roy, LLC.  
Specification to change without notice.

[info@lmipumps.com](mailto:info@lmipumps.com)  
[www.lmipumps.com](http://www.lmipumps.com)

