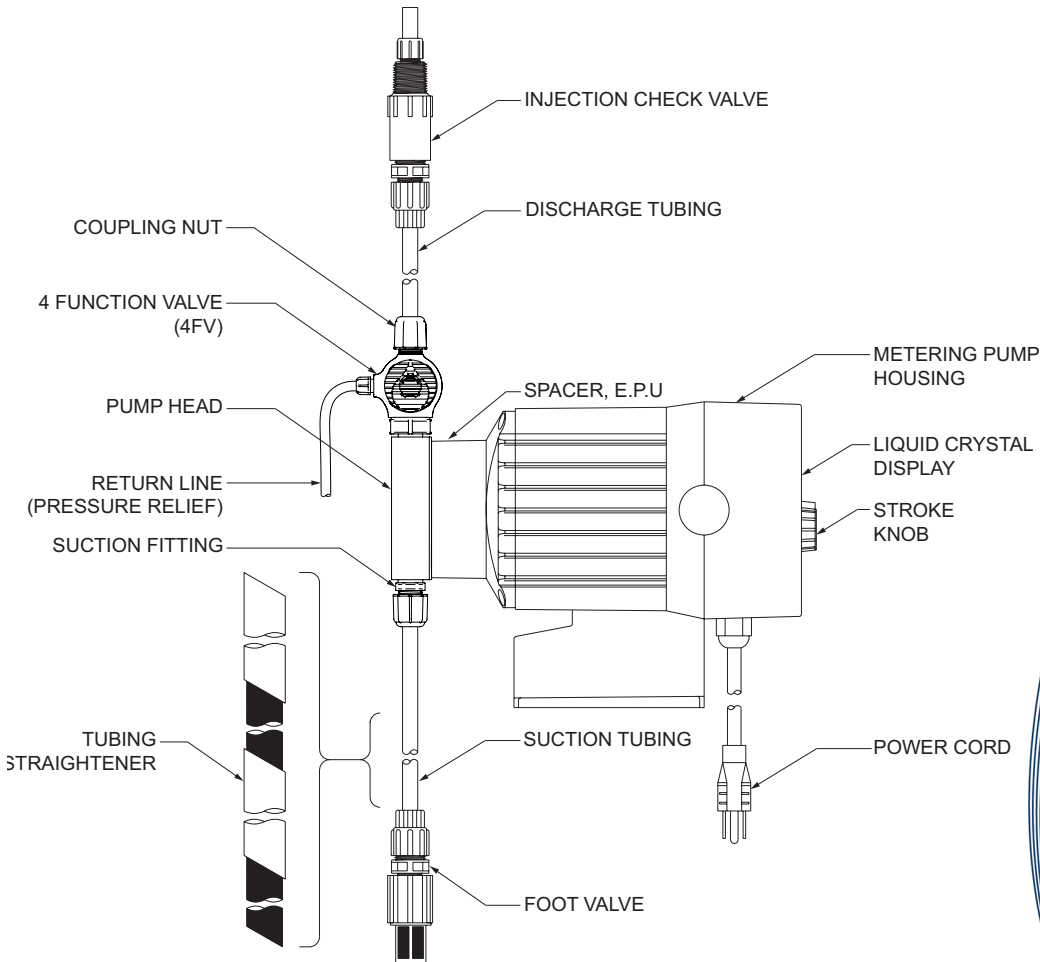


**LMI**<sup>®</sup>

an Accudyne Industries brand

**Metering Pump Component Diagram**

# Series C9 Electronic Metering Pump Instruction Supplement

Manual No : 1795

Rev. : E

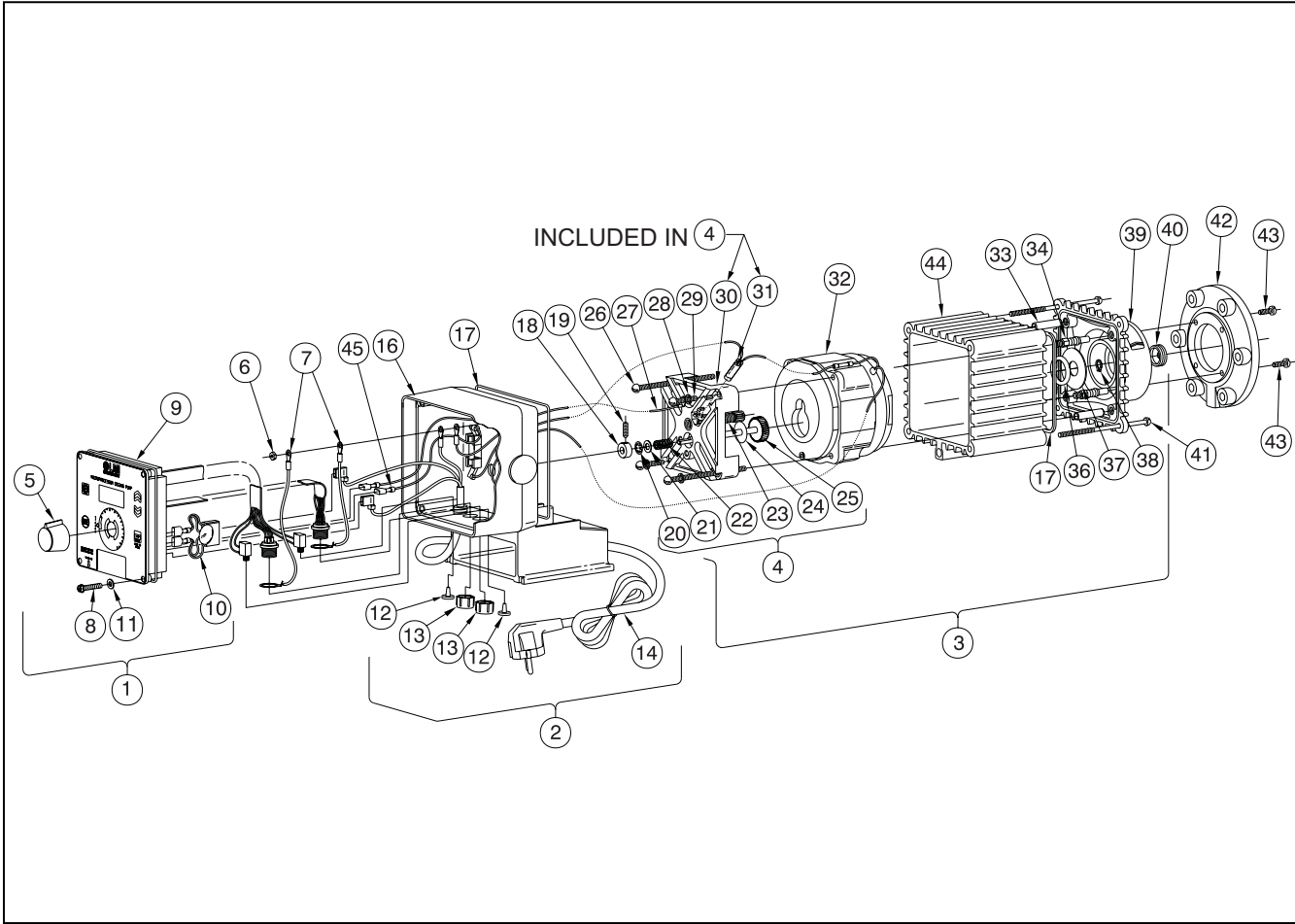
Rev. Date : 10/2015



an Accudyne Industries brand



# SERIES C9 DRIVE ASSEMBLY EXPLODED VIEW DIAGRAM



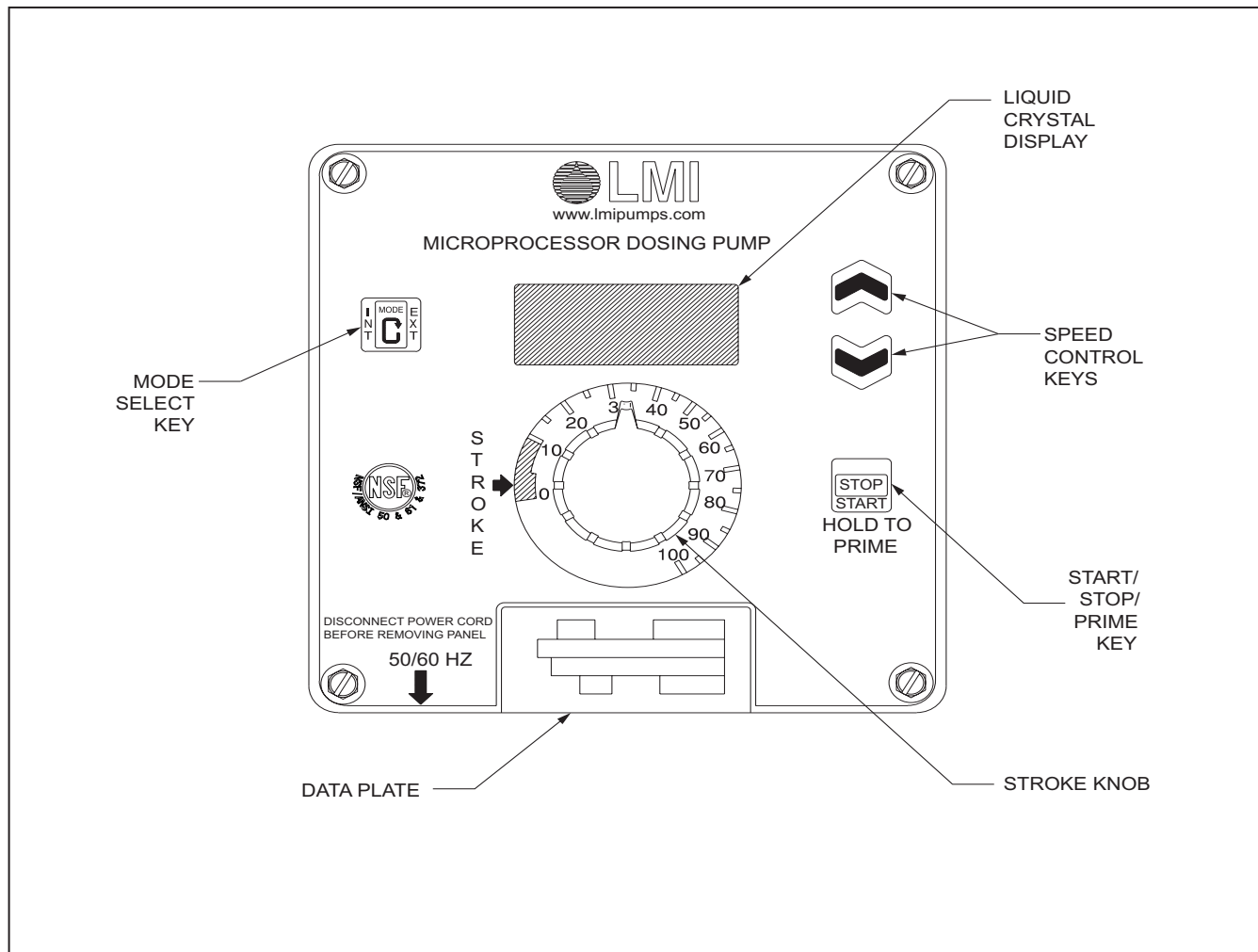
# SERIES C9 DRIVE ASSEMBLY PARTS LIST

Key Number	Model Series	Part Number	Description	Qty
1	C901, C911	35960CE	Control Panel Assembly, 120V	1
	C902, C903, C905, C906, C907, C912, C913, C915, C916, C917	35961CE	Control Panel Assembly, 240V	1
	C921	35962CE	Control Panel Assembly, 120V	1
	C922, C923, C925, C926, C927	35963CE	Control Panel Assembly, 240V	1
	C931	35964CE	Control Panel Assembly, 120V	1
	C932, C933, C935, C936, C937	35965CE	Control Panel Assembly, 240V	1
	C941	35966CE	Control Panel Assembly, 120V	1
	C942, C943, C945, C946, C947	35967CE	Control Panel Assembly, 240V	1
2	C901, C911, C921, C931, C941	35949CE	Housing Assembly, 120V	1
	C902, C912, C922, C932, C942	35955CE	Housing Assembly, 230V	1
	C903, C913, C923, C933, C943	35950CE	Housing Assembly, 220-240V DIN	1
	C905, C915, C925, C935, C945	35951CE	Housing Assembly, 220-240V, U.K.	1
	C906, C916, C926, C936, C946	35956CE	Housing Assembly, 220-240V, Aust.	1
	C907, C917, C927, C937, C947	35952CE	Housing Assembly, 220-240C, SWISS.	1
3	C901	32532CE	EPU&Spacer Asm, w/Stroke Adj., 120V	1
	C902, C903, C905, C906, C907	32533CE	EPU&Spacer Asm, w/Stroke Adj., 240V	1
	C911, C921	32534CE	EPU&Spacer Asm, w/Stroke Adj., 120V	1
	C912, C913, C915, C916, C917, C922, C923, C925, C926, C927	32535CE	EPU&Spacer Asm, w/Stroke Adj., 240V	1
	C931, C941	32536CE	EPU&Spacer Asm, w/Stroke Adj., 120V	1
	C932, C933, C935, C936, C937, C942, C943, C945, C946, C947	32537CE	EPU&Spacer Asm, w/Stroke Adj., 240V	1
4	C9	32251CE	Stroke Bracket Assembly	1
5	C9	31891	Knob, Stroke	1
6	C9	10191	Nut, 6-32	2
7	C9	35266	Wire Assembly	2
8	C9	30306	Screw, 10 x1 S.S.	4
9	C9	10166	O-Ring	1
10	C9X1	35254	MOV/CAP Assembly, 120V	1
	C9X2, C9X3, C9X5, C9X6	35255	MOV/CAP Assembly, 220-240V	1
11	C9	33889	Washer	4
12	C9	30307	Plug	2
13	C9	25930	Cover	2
14	C9X1	37213	Power Cord Assembly, 120V	1
	C9X2	37214	Power Cord Assembly, 240V	1
	C9X3	36001CE	Power Cord Assembly, 220-240V, DIN	1
	C9X5	37215	Power Cord Assembly, 220-240V, UK	1
	C9X6	36002CE	Power Cord Assembly, 220-240V, AUST	1
	C9X7	37216	Power Cord Assembly, 220-240V, SWISS	1

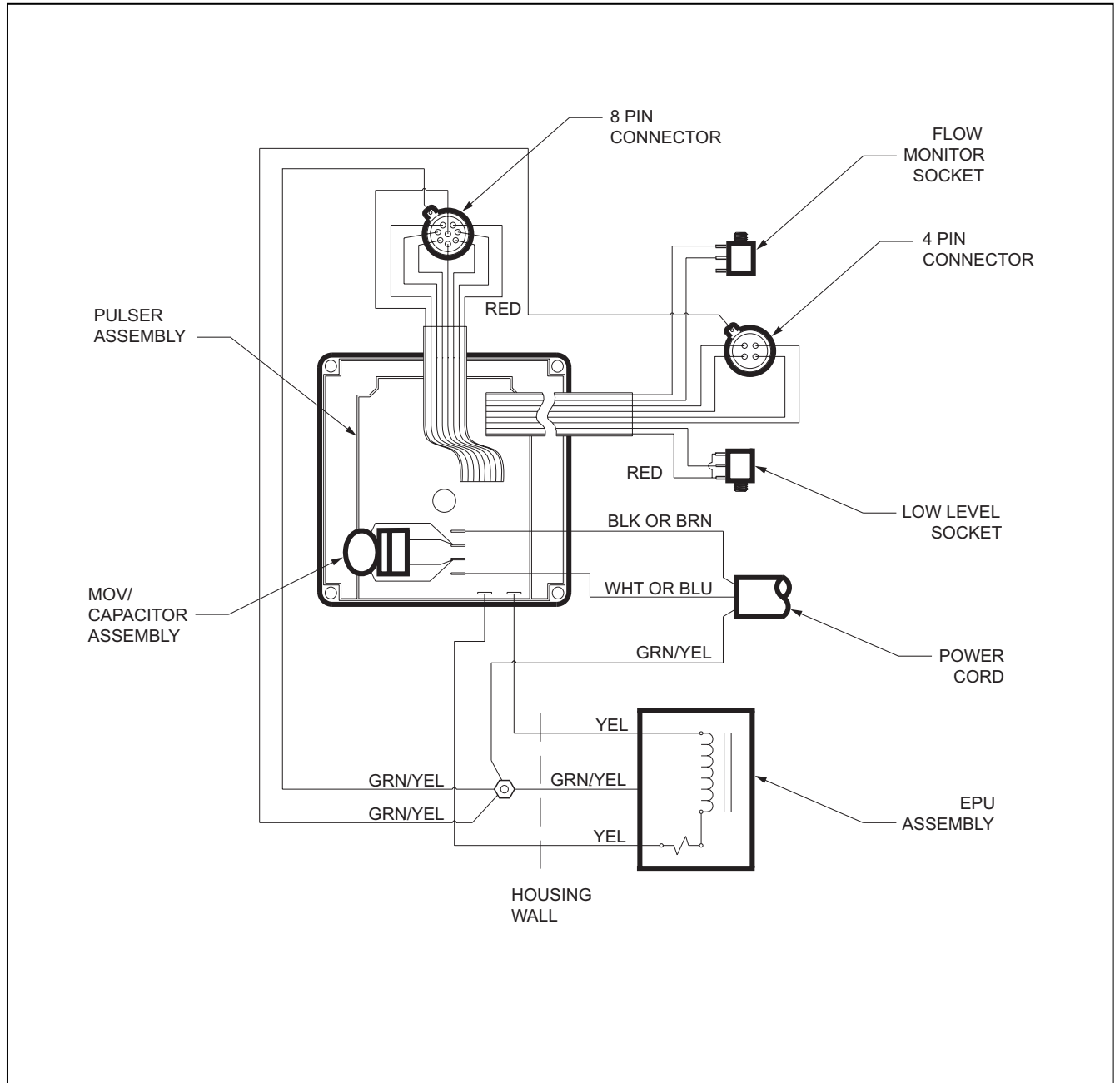
## SERIES C9 DRIVE ASSEMBLY PARTS LIST

Key Number	Model Series	Part Number	Description	Qty
16	C9	35890	Housing	1
17	C9	35269	O-Ring	2
18	C9	25424	Collar	1
19	C9	25423	Set Screw	1
20	C9	10462	Retaining Ring	1
21	C9	32302	Washer	1
22	C9	32221	Spring	1
23	C9	32578	Pinion	1
24	C9	25121	Gasket	1
25	C9	31770	Shaft Assembly	1
26	C9	27552	Screw, 10-24x4.0	2
27	C9	35223	Ground Wire Assembly (GRN)	1
28	C9	10415	Washer	4
29	C9	27551	Screw, 10-24x1.25	4
30	C9	12064	Bracket (without mating parts)	1
31	C9	27501CE	Thermostat	1
32	C901, C911, C921, C931, C941	38390	EPU Assembly, 120V	1
	C90, C91, C92, C93, C94 All Models rated 220-240 Volts	32159CE	EPU Assembly, 240V	1
33	C90, C91, C92, C93, C94	27187	Spacing Stud	2
34	C90, C91, C92	37963	Stud Assembly	4
	C93, C94	27641-1	Stud Assembly	4
36	C9	26983	O-Ring	1
37	C9	27586	Shim	1
38	C9	27253	Retaining Ring	1
39	C90	38303	Spacer, 0.9 SI	1
	C91, C92	35394	Spacer, 1.8 SI	1
	C93, C94	35395	Spacer, 3.0 SI	1
40	C9	10973	Seal	1
41	C9	25127	Screw, RH Slotted, S.S.	4
42	C94	38856	Spacer Adapter, 6.0 SI	1
43	C9	10598	Screw	4
44	C90, C91, C92, C93, C94	25068	Sleeve, EPU	1
45	C9	28856CE	Wire Assembly	2
Not Shown	C9	25849	Bushing, Unipulser	1

# SERIES C9 CONTROL PANEL DETAIL



# SERIES C9 WIRING DIAGRAM



*We are a proud member of Accudyne Industries, a leading global provider of precision-engineered, process-critical, and technologically advanced flow control systems and industrial compressors. Delivering consistently high levels of performance, we enable customers in the most important industries and harshest environments around the world to accomplish their missions.*



36 Hudson Rd  
Sudbury MA 01776



800-225-4616  
[www.tisales.com](http://www.tisales.com)

LMI® is a registered trademark of Milton Roy, LLC.  
© 1998, 2015 Milton Roy, LLC.  
Specification to change without notice.

[info@lmipumps.com](mailto:info@lmipumps.com)  
[www.lmipumps.com](http://www.lmipumps.com)

