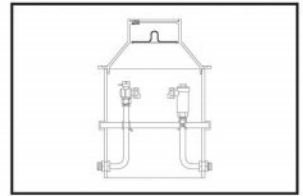


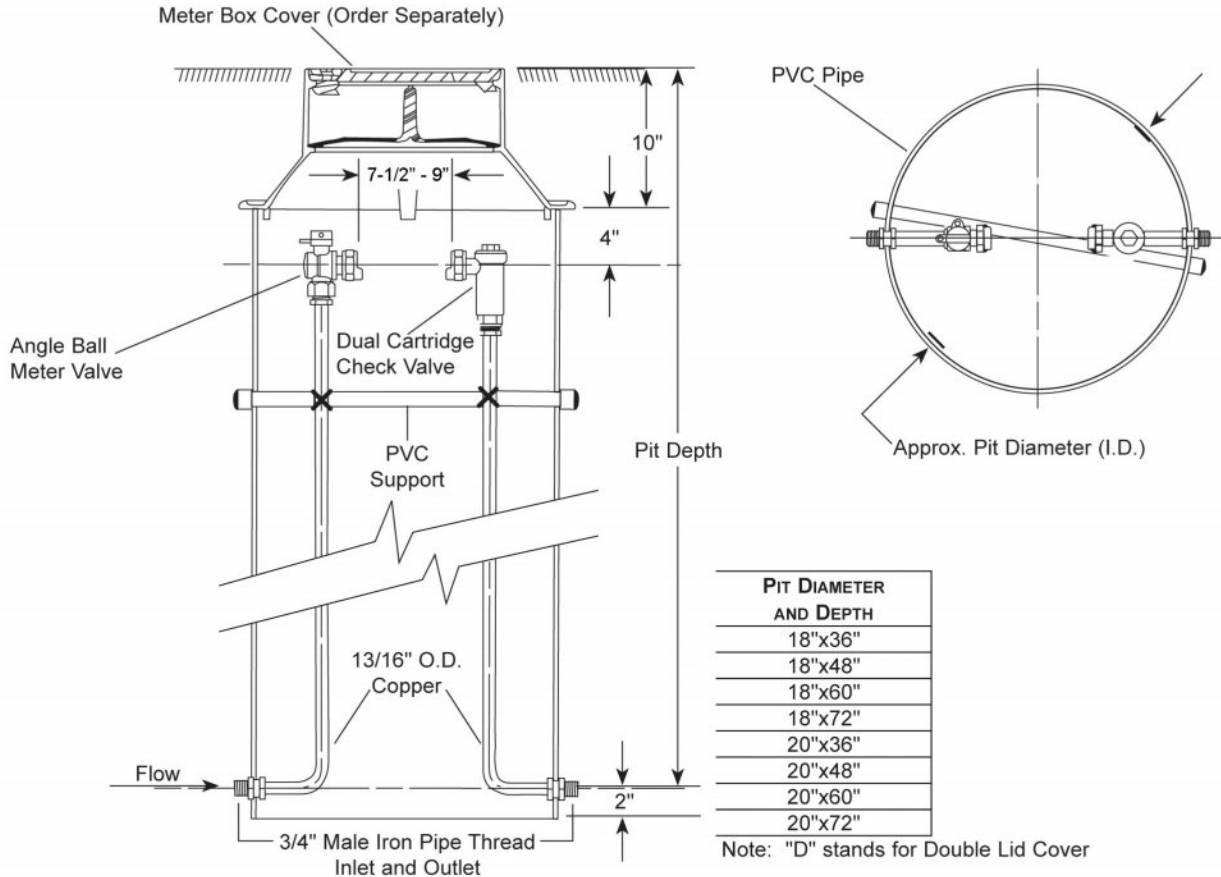
SUBMITTAL INFORMATION

HDPE Pitsetter, No Lead - (TI-PIT-3)



MALE IRON PIPE THREAD INLET AND OUTLET - FOR 5/8" x 3/4" AND FULL 3/4" METER

DOUBLE LID - ANGLE BALL METER VALVE INLET BY ANGLE DUAL CARTRIDGE CHECK VALVE OUTLET



FEATURES

- All brass conforms to AWWA ANSI/NSF Standard 61 for no lead
- Meter is held rigidly and at proper height with PVC support for easy installation and removal
- Meter box cover not included, must be ordered separately
- Service lines are a minimum of 2" from pit walls to prevent 'frost jump' in colder climates
- Easy installation - simply make inlet and outlet connections and install cover
- When bottom of pit is below frost line, service line and meter freeze-ups are eliminated by air convection from the warmer soil at the pit base
- Material for the pitsetter is molded HDPE with a vertical crush rating greater than 20,000 lbs static pressure
- Molded wall thickness is .400" with low temperature threshold for brittleness at -76° F



36 Hudson Rd
Sudbury MA 01776



800-225-4616
www.tisales.com