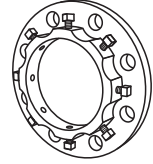


SUBMITTAL INFORMATION

Adapter Flange - (UFA400-C-x style)



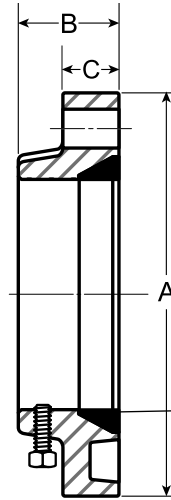
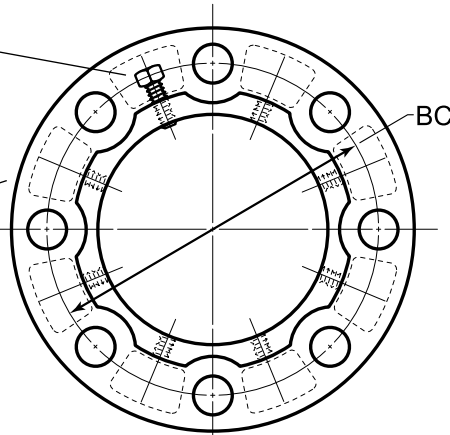
UNI-FLANGE® SERIES 400 ADAPTER FLANGE FOR DUCTILE IRON PIPE

Set Screw - AISI 4140 Steel;
Tensile 190,000 psi minimum. Heat
treated to 35-39 Rockwell C, and
zinc plated for corrosion resistance

Flange - Ductile Iron per ASTM
A536, Grade 65-45-12. Drilling
to AWWA Class D and E,
ANSI B16.1 (125 lb. cast iron), or
ANSI B16.5 (150 lb. steel)

Finish: Shop coat

Color Code: Red for ductile
iron applications



Gasket - SBR (Buna-S)
Mechanical Joint Gasket

NOM. PIPE SIZE	DUCTILE IRON PIPE		APPROX. WT. LBS.	PRESSURE RATING PSI	SET SCREWS		FLANGE			NO. OF BOLT HOLES	BOLT CIRCLE DIA.	✓ SUBMITTED ITEM(S)
	OD (In.)	CATALOG No.			NUMBER	SIZE	OD A	APPROX. THICKNESS B	APPROX. THICKNESS C			
**2"	2.50											
						**Use UFA200-C-2						
3"	3.96	UFA400-C-3	8	250	4	1/2"x1"	7-1/2"	2-1/8"	1-7/64"	4	6"	
4"	4.80	UFA400-C-4	11	250	8	1/2"x1"	9"	2-1/8"	1-7/64"	8	7-1/2"	
6"	6.90	UFA400-C-6	14	250	8	5/8"x1-1/4"	11"	2-3/8"	1-7/64"	8	9-1/2"	
8"	9.05	UFA400-C-8	21	250	8	5/8"x1-1/4"	13-1/2"	2-3/8"	1-7/64"	8	11-3/4"	
10"	11.10	UFA400-C-10	38	250	12	5/8"x1-1/4"	16"	2-7/16"	1-3/16"	12	14-1/4"	
12"	13.20	UFA400-C-12	56	250	12	5/8"x1-1/4"	19"	2-1/2"	1-1/4"	12	17"	
14"	15.30	UFA400-C-14	70	150	12	5/8"x1-1/4"	21"	2-7/8"	1-3/8"	12	18-3/4"	
16"	17.40	UFA400-C-16	79	150	16	5/8"x1-1/4"	23-1/2"	2-13/16"	1-24/64"	16	21-1/4"	
18"	19.50	UFA400-C-18	90	150	16	3/4"x2"	25"	3-1/16"	1-9/16"	16	22-3/4"	
20"	21.60	UFA400-C-20	145	150	20	3/4"x2"	27-1/2"	3-3/16"	1-11/16"	20	25"	
24"	25.80	UFA400-C-24	175	150	20	3/4"x2"	32"	3-3/8"	1-7/8"	20	29-1/2"	
30"	32.00	UFA400-C-30	270	100	28	1"x2-1/4"	38-3/4"	4-1/8"	2-7/64"	28	36"	
36"	38.30	UFA400-C-36	400	100	32	1"x2-1/4"	46"	4-3/8"	2-3/8"	32	42-3/4"	
42"	44.50	UFA400-C-42	495	100	36	1"x2-1/4"	53"	4-5/8"	2-5/8"	36	49-1/2"	
48"	5.80	UFA400-C-48	660	100	44	1"x2-1/4"	59-1/2"	4-3/4"	2-3/4"	44	56"	

FEATURES

- Restraint is provided by a set screw locking device similar to that used in mechanical joint retainer glands.
- The gasket is an SBR (Buna-S) mechanical joint gasket. Available in optional EPDM or NBR (Buna-N) gasket
- Designed for ease of on-site installation. Eliminates bolt hole alignment problems and allows for pipe deflection.
- Series 400 adapter flanges are not recommended for use on PVC pipe. Use the Uni-Flange® Series 900 flanges instead.
- Optional uni-torque set screws are available for use with 3"-16" Series 400 adapter flanges for ductile iron pipe, class 52-56. To order, add "-UT" to the catalog number. Example: UFA400-C-6-UT.
- Optional stainless steel set screws, type 410 per ASTM F593, are available for Series 400 adapter flanges. To order, add "-SS" to the catalog number. Example: UFA400-C-6-SS

The Ford Meter Box Company considers the information in this submittal form to be correct at the time of publication. Item and option availability, including specifications, are subject to change without notice. Please verify that your product information is current. Our standard warranty applies.



The Ford Meter Box Company, Inc.
P.O. Box 443, Wabash, Indiana U.S.A. 46992-0443
Phone: 260-563-3171 / Fax: 800-826-3487
Overseas Fax: 260-563-0167
www.fordmeterbox.com

03/19/21

Submitted By:



36 Hudson Rd
Sudbury MA 01776



800-225-4616
www.tisales.com