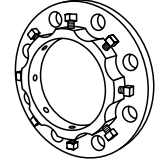


SUBMITTAL INFORMATION

Adapter Flange - (UFA400-S-x series)



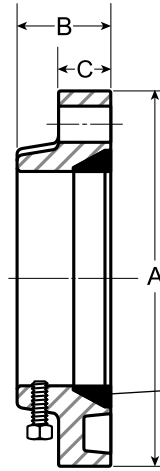
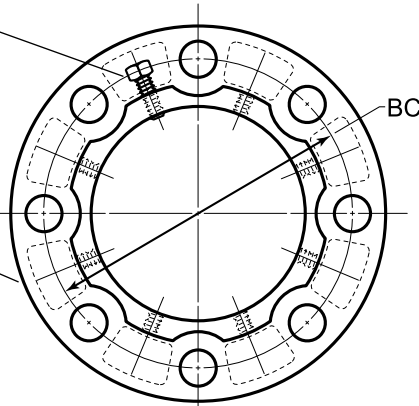
UNI-FLANGE® SERIES 400 ADAPTER FLANGE FOR STEEL PIPE

Set Screw - AISI 4140 Steel;
Tensile 190,000 psi minimum.
Heat treated to 35-44 Rockwell
C, and zinc plated for corrosion
resistance

Flange - Ductile Iron per ASTM
A536, Grade 65-45-12. Drilling
to AWWA Class D and E,
ANSI B16.1 (125 lb. cast iron),
or ANSI B16.5 (150 lb. steel)

Finish: Shop coat

Color Code: Gray for steel
applications



Gasket - SBR
Transition Gasket

NOM. PIPE SIZE	STEEL PIPE		APPROX. WEIGHT LBS.	PRESSURE RATING PSI	SET SCREWS		FLANGE			NO. OF BOLT HOLES	BOLT CIRCLE DIA.	✓ SUBMITTED ITEM(S)
	OD (In.)	CATALOG No.			NUMBER	SIZE	OD A	APPROX. THICKNESS B	APPROX. THICKNESS C			
2"	2.375	UFA400-S-2	5	250	4	1/2"x1"	6"	2-1/16"	1-1/16"	4	4-3/4"	
2-1/2"	2.875	UFA400-S-25	7	250	4	1/2"x1"	7"	2-1/8"	1-7/64"	4	5-1/2"	
3"	3.500	UFA400-S-3	8	250	4	1/2"x1"	7-1/2"	2-1/8"	1-7/64"	4	6"	
4"	4.500	UFA400-S-4	11	250	8	1/2"x1"	9"	2"	1-7/64"	8	7-1/2"	
5"	5.563	UFA400-S-5	13	250	8	5/8"x1-1/4"	10"	2-3/8"	1-7/64"	8	8-1/2"	
6"	6.625	UFA400-S-6	14	250	8	5/8"x1-1/4"	11"	2-3/8"	1-7/64"	8	9-1/2"	
8"	8.625	UFA400-S-8	21	250	8	5/8"x1-1/4"	13-1/2"	2-3/8"	1-7/64"	8	11-3/4"	
10"	10.750	UFA400-S-10	38	250	12	5/8"x1-1/4"	16"	2-7/16"	1-3/16"	12	14-1/4"	
12"	12.750	UFA400-S-12	56	250	12	5/8"x1-1/4"	19"	2-1/2"	1-1/4"	12	17"	
14"	14.000	UFA400-S-14	70	150	12	5/8"x1-1/4"	21"	2-5/8"	1-3/8"	12	18-3/4"	
16"	16.000	UFA400-S-16	79	150	16	5/8"x1-1/4"	23-1/2"	2-11/16"	1-7/16"	16	21-1/4"	
18"	18.000	UFA400-S-18	90	150	16	3/4"x2"	25"	3-1/16"	1-9/16"	16	22-3/4"	
20"	20.000	UFA400-S-20	145	150	20	3/4"x2"	27-1/2"	3-3/16"	1-11/16"	20	25"	
24"	24.000	UFA400-S-24	175	150	20	3/4"x2"	32"	3-3/8"	1-7/8"	20	29-1/2"	
30"	30.000	UFA400-S-30	270	100	28	1"x2-1/4"	38-3/4"	4-1/8"	2-7/64"	28	36"	
36"	36.000	UFA400-S-36	400	100	32	1"x2-1/4"	46"	4-3/8"	2-3/8"	32	42-3/4"	
42"	42.000	UFA400-S-42	495	100	36	1"x2-1/4"	53"	4-5/8"	2-39/64"	36	49-1/2"	

FEATURES

- Restraint is provided by a set screw locking device similar to that used in mechanical joint retainer glands
- The gasket is an SBR transition gasket. Available in optional EPDM or NBR (Buna-N) gasket
- Designed for ease of on-site installation. Eliminates bolt hole alignment problems and allows for pipe deflection
- Series 400 adapter flanges are not recommended for use on PVC pipe. Use the Uni-Flange® Series 900 flanges instead
- Optional uni-torque set screws are available for use with 2"-16" Series 400 adapter flanges for steel pipe, schedule 40 and up. To order, add "-UT" to the catalog number. Example: UFA400-S-6-UT
- Optional stainless steel set screws, type 410 per ASTM F593, are available for 2"-16" Series 400 adapter flanges. To order, add "-SS" to the catalog number. Example: UFA400-S-6-SS

The Ford Meter Box Company considers the information in this submittal form to be correct at the time of publication. Item and option availability, including specifications, are subject to change without notice. Please verify that your product information is current. Our standard warranty applies.



The Ford Meter Box Company, Inc.
P.O. Box 443, Wabash, Indiana U.S.A. 46992-0443
Phone: 260-563-3171 / Fax: 800-826-3487
Overseas Fax: 260-563-0167
www.fordmeterbox.com

06/22/20

Submitted By:



36 Hudson Rd
Sudbury MA 01776



800-225-4616
www.tisales.com